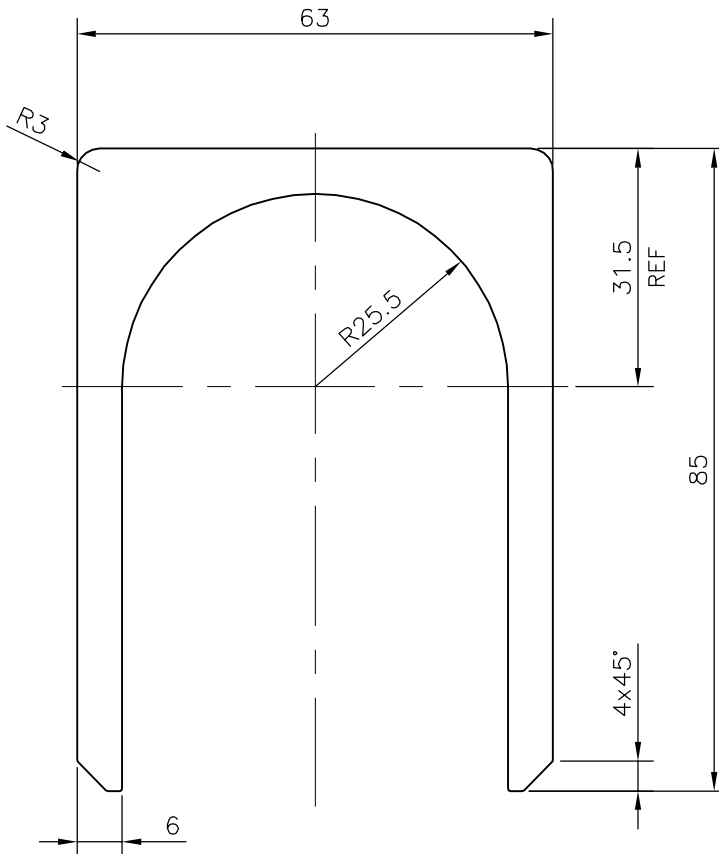


P-19392

29691



SYMBOL OF QUALITY
AN ISO 9001 COMPANY

JINDAL ALUMINIUM LTD.
BANGALORE-560073 (INDIA)

| | NAME | DATE |
|----------------------|-------------|------------|
| DRAWN | J.P.KAUSHIK | 09-04-2019 |
| CHECKED | | |
| APPROVED | B.NATARAJA | 13-04-2019 |
| SCALE | | 1:1 |
| AREA mm ² | | 1585.144 |
| PERIMETER mm. | | 424.437 |
| WEIGHT kg/m | | 4.280 |
| DRAWING No. | SECTION No. | |
| P-19392 | - | |
| 29691 | 29691 | |
| | | |
| | | |

1. ALL DIMENSIONS ARE IN mm.
2. ROUND OFF ALL SHARP CORNERS WITH 0.40 mm.
3. TOLERANCES WILL BE AS PER BS:EN-755-9 UNLESS OTHERWISE SPECIFIED

| | |
|---------------------|--|
| PARTY'S NAME | DOLPHIN MANUFACTURING LTD., L.L.C., U.A.E. |
| PARTY'S DRAWING No. | PAL-RW-AEC-036 |
| ALLOY & TEMPER | 6060 T5 |
| DESCRIPTION | MISC. CHANNEL |