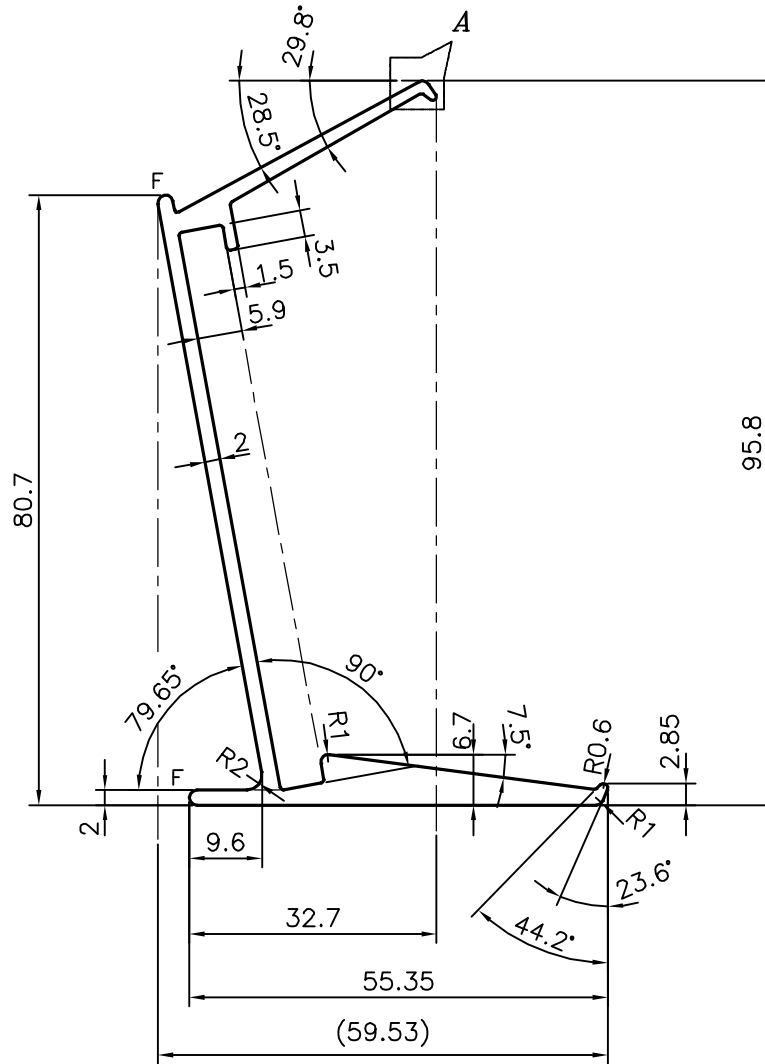
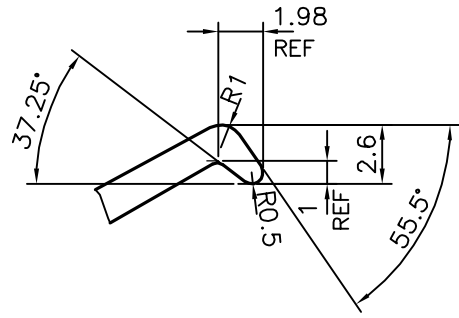


P-17824


S5664

29702

DETAIL OF "A"  
SCALE 3:1



F = FULL RADIUS (2 PLACES)

 SYMBOL OF QUALITY AN ISO 9001 COMPANY	<b>JINDAL ALUMINIUM LTD.</b> BANGALORE-560073 (INDIA)	NAME	DATE
		DRAWN	J.P.KAUSHIK 31-01-2018
1. ALL DIMENSIONS ARE IN mm. 2. ROUND OFF ALL SHARP CORNERS WITH 0.40 mm. 3. TOLERANCES WILL BE AS PER IS:3965-1981 UNLESS OTHERWISE SPECIFIED		CHECKED	
		APPROVED	J.N.RAY 07-02-2018
PARTY'S NAME JUMBO DIGITAL PRINTS PVT. LTD., NEW DELHI		SCALE	1:1
		AREA mm <sup>2</sup>	449.734
PARTY'S DRAWING No. AS PER DRAWING		PERIMETER mm.	360.868
		WEIGHT kg/m	1.214
ALLOY & TEMPER 6063 T6		DRAWING No.	SECTION No.
		P-17824	-
DESCRIPTION MISC. SECTION		S5664	S5664
		29702	29702