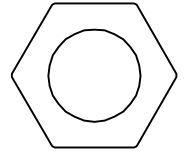
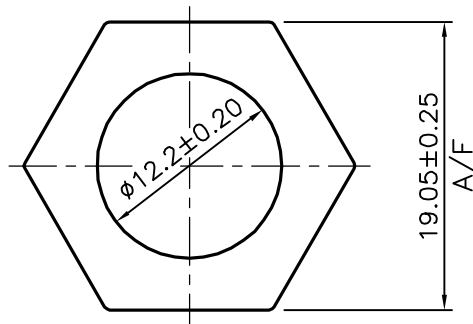


P-21091

29706



1:1



SYMBOL OF QUALITY
AN ISO 9001 COMPANY

JINDAL ALUMINIUM LTD.
BANGALORE-560073 (INDIA)

	NAME	DATE
DRAWN	J.P.KAUSHIK	19-06-2020
CHECKED		
APPROVED	B.NATARAJA	23-07-2020

1. ALL DIMENSIONS ARE IN mm.
2. ROUND OFF ALL SHARP CORNERS WITH 0.40 mm.
3. TOLERANCES WILL BE AS PER IS:6477-1983 UNLESS OTHERWISE SPECIFIED

SCALE	2:1
AREA mm ²	197.333
PERIMETER mm.	65.733
WEIGHT kg/m	0.533

PARTY'S NAME	TOPFLITE COMPONENTS PVT. LTD., MYSORE
--------------	---------------------------------------

DRAWING No.	SECTION No.
-------------	-------------

PARTY'S DRAWING No.	AS PER DRAWING
---------------------	----------------

P-21091	
---------	--

ALLOY & TEMPER	6061 T6
----------------	---------

29706	
-------	--

29706	
-------	--

DESCRIPTION	HEXAGONAL TUBE
-------------	----------------