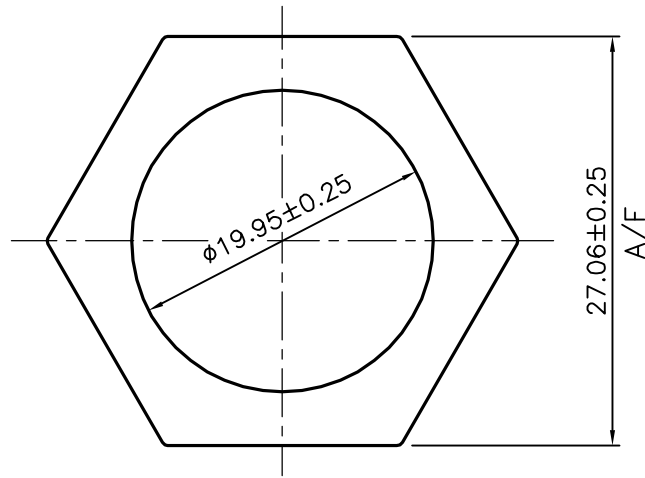
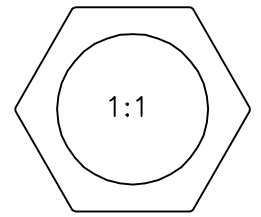


P-21092

29707



SYMBOL OF QUALITY
AN ISO 9001 COMPANY

JINDAL ALUMINIUM LTD.
BANGALORE-560073 (INDIA)

	NAME	DATE
DRAWN	J.P.KAUSHIK	19-06-2020
CHECKED		
APPROVED	B.NATARAJA	23-07-2020
SCALE		2:1
AREA mm ²		321.5
PERIMETER mm.		93.481
WEIGHT kg/m		0.868
DRAWING No.	SECTION No.	
P-21092		
29707	29707	

1. ALL DIMENSIONS ARE IN mm.
2. ROUND OFF ALL SHARP CORNERS WITH 0.40 mm.
3. TOLERANCES WILL BE AS PER IS:6477-1983 UNLESS OTHERWISE SPECIFIED

PARTY'S NAME	TOPFLITE COMPONENTS PVT. LTD., MYSORE
PARTY'S DRAWING No.	AS PER DRAWING
ALLOY & TEMPER	6061 T6
DESCRIPTION	HEXAGONAL TUBE