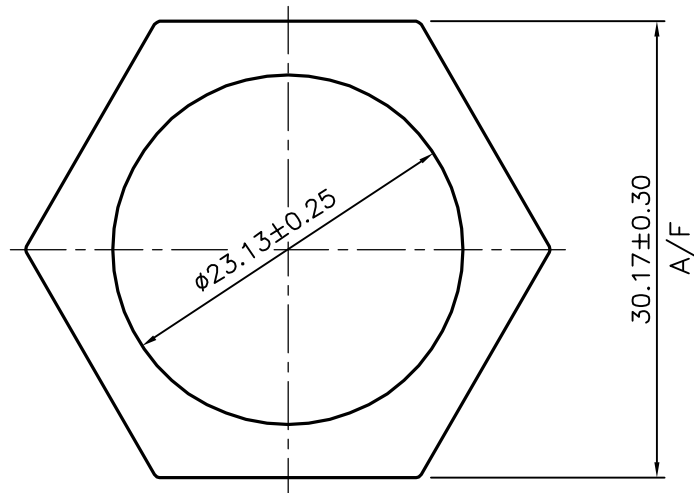
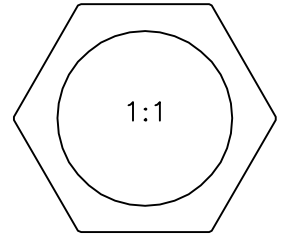


P-21093

29708



SYMBOL OF QUALITY
AN ISO 9001 COMPANY

JINDAL ALUMINIUM LTD.
BANGALORE-560073 (INDIA)

	NAME	DATE
DRAWN	J.P.KAUSHIK	19-06-2020
CHECKED		
APPROVED	B.NATARAJA	23-07-2020

1. ALL DIMENSIONS ARE IN mm.
2. ROUND OFF ALL SHARP CORNERS WITH 0.40 mm.
3. TOLERANCES WILL BE AS PER IS:6477-1983 UNLESS OTHERWISE SPECIFIED

SCALE	2:1
AREA mm ²	368.044
PERIMETER mm.	104.254
WEIGHT kg/m	0.994

PARTY'S NAME TOPFLITE COMPONENTS PVT. LTD., MYSORE

DRAWING No.	SECTION No.
P-21093	
29708	29708

PARTY'S DRAWING No. AS PER DRAWING

ALLOY & TEMPER 6061 T6

DESCRIPTION HEXAGONAL TUBE