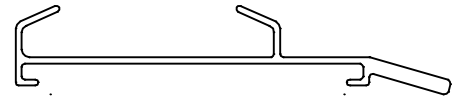
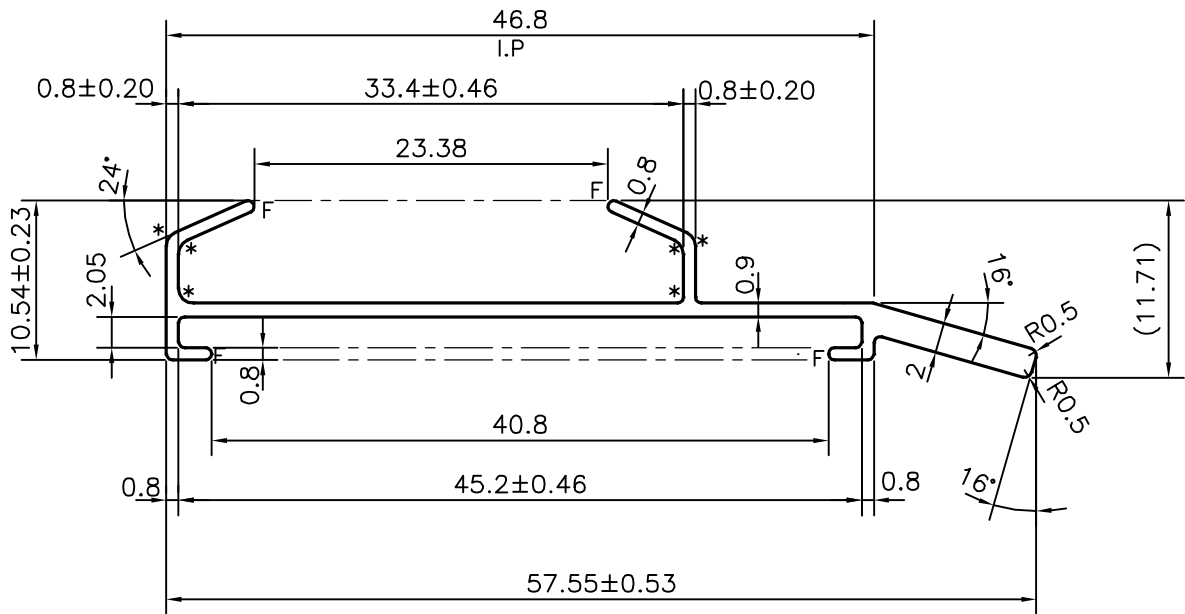


P-21600

29714



1:1



* = 1.0 RADIUS (6 PLACES)
 F = FULL RADIUS (4 PLACES)

AVERAGE WEIGHT:-0.214 kg/m TO 0.262 kg/m



SYMBOL OF QUALITY
 AN ISO 9001 COMPANY

JINDAL ALUMINIUM LTD.
 BANGALORE-560073 (INDIA)

| | NAME | DATE |
|----------|-------------|------------|
| DRAWN | J.P.KAUSHIK | 28-09-2020 |
| CHECKED | | |
| APPROVED | B.NATARAJA | 08-10-2020 |

1. ALL DIMENSIONS ARE IN mm.
2. ROUND OFF ALL SHARP CORNERS WITH 0.40 mm.
3. TOLERANCES WILL BE AS PER,IS:3965-1981 UNLESS OTHERWISE SPECIFIED

| | |
|----------------------|---------|
| SCALE | 2:1 |
| AREA mm ² | 88.333 |
| PERIMETER mm. | 173.192 |
| WEIGHT kg/m | 0.238 |

| | | | | | |
|---------------------|--------------------------------------------|-------------|---------|-------------|-------|
| PARTY'S NAME | VELCA RACKING SYSTEMS PVT. LTD., BANGALORE | DRAWING No. | P-21600 | SECTION No. | - |
| PARTY'S DRAWING No. | AS PER DRAWING | | 29714 | | 29714 |
| ALLOY & TEMPER | 6063 T6 | | | | |
| DESCRIPTION | STORAGE RACKING SECTION | | | | |