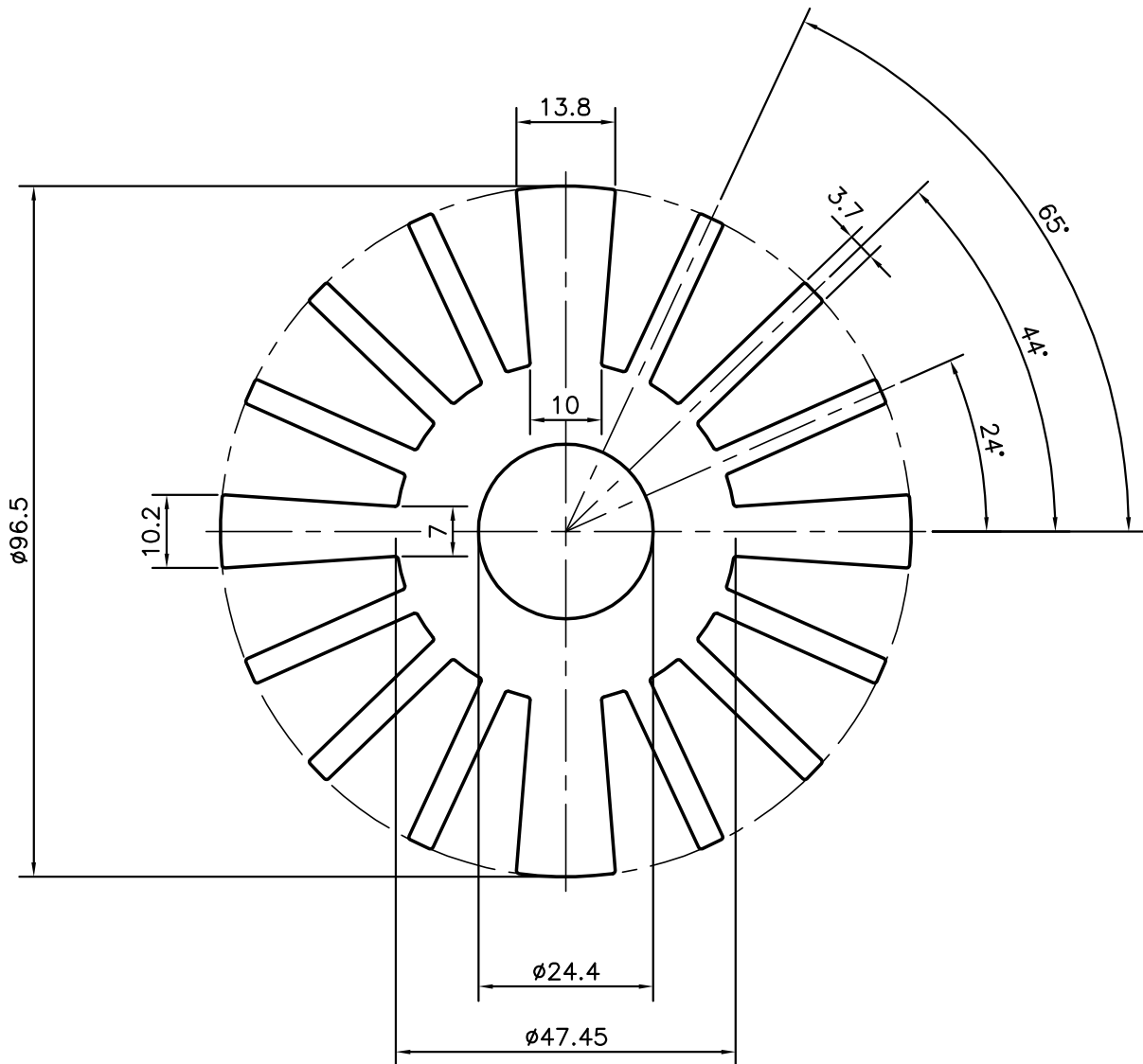


P-10372

S2795

33501



SYMBOL OF QUALITY
AN ISO 9001 COMPANY

JINDAL ALUMINIUM LTD.
BANGALORE-560073 (INDIA)

	NAME	DATE
DRAWN	J.P.KAUSHIK	10-09-2010
CHECKED		
APPROVED	J.N.RAI	08-12-2010
SCALE		1:1
AREA mm ²		3399.707
PERIMETER mm.		940.252
WEIGHT kg/m		9.179
DRAWING No.	SECTION No.	
P-10372	-	
S2795	S2795	
33501	33501	

1. ALL DIMENSIONS ARE IN mm.
2. ROUND OFF ALL SHARP CORNERS WITH 0.40 mm.
3. TOLERANCES WILL BE AS PER IS:6477-1983 UNLESS OTHERWISE SPECIFIED

PARTY'S NAME	P.M. INDUSTRIES, BANGALORE
PARTY'S DRAWING No.	AS PER DRAWING
ALLOY & TEMPER	HE9 WP
DESCRIPTION	HEAT SINK SECTION