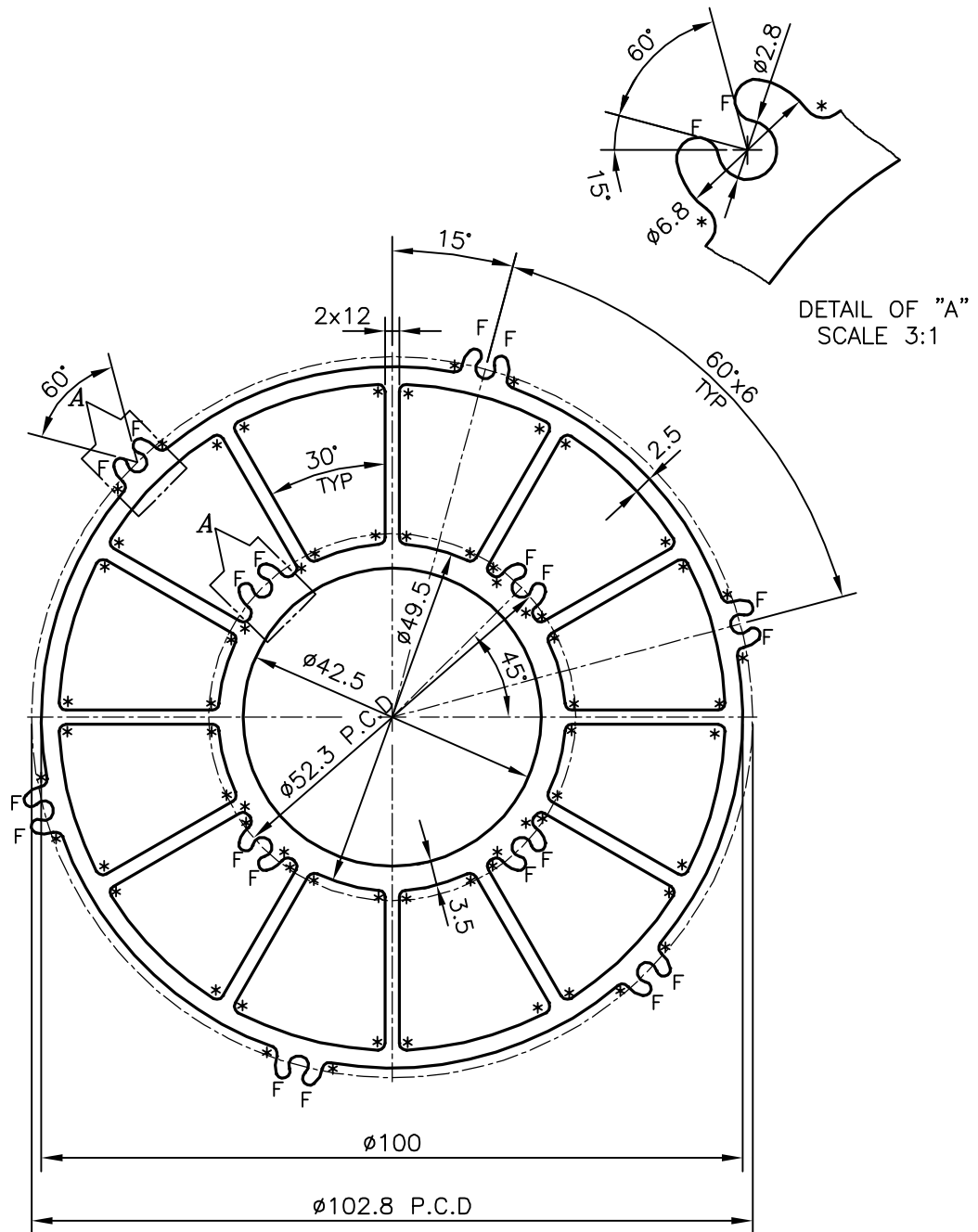


P-19635-1

S6831

33652



F = FULL RADIUS (20 PLACES)
 * = 1.0 RADIUS (68 PLACES)



SYMBOL OF QUALITY
 AN ISO 9001 COMPANY

JINDAL ALUMINIUM LTD.
 BANGALORE-560073 (INDIA)

	NAME	DATE
DRAWN	J.P.KAUSHIK	25-06-2019
CHECKED		
APPROVED	B.NATARAJA	19-06-2020
SCALE		1:1
AREA mm ²		1988.567
PERIMETER mm.		387.331
WEIGHT kg/m		5.369
DRAWING No.	SECTION No.	
P-19635-1	-	
S6831	S6831	
33652	33652	

1. ALL DIMENSIONS ARE IN mm.
2. ROUND OFF ALL SHARP CORNERS WITH 0.40 mm.
3. TOLERANCES WILL BE AS PER IS:6477-1983 , UNLESS OTHERWISE SPECIFIED

PARTY'S NAME	FLUROTECH FORMULATION PVT. LTD., HYDERABAD
PARTY'S DRAWING No.	AS PER DRAWING 1 REV.02
ALLOY & TEMPER	6063 T6
DESCRIPTION	AERODENSER SECTION