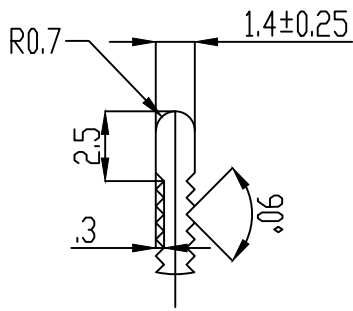
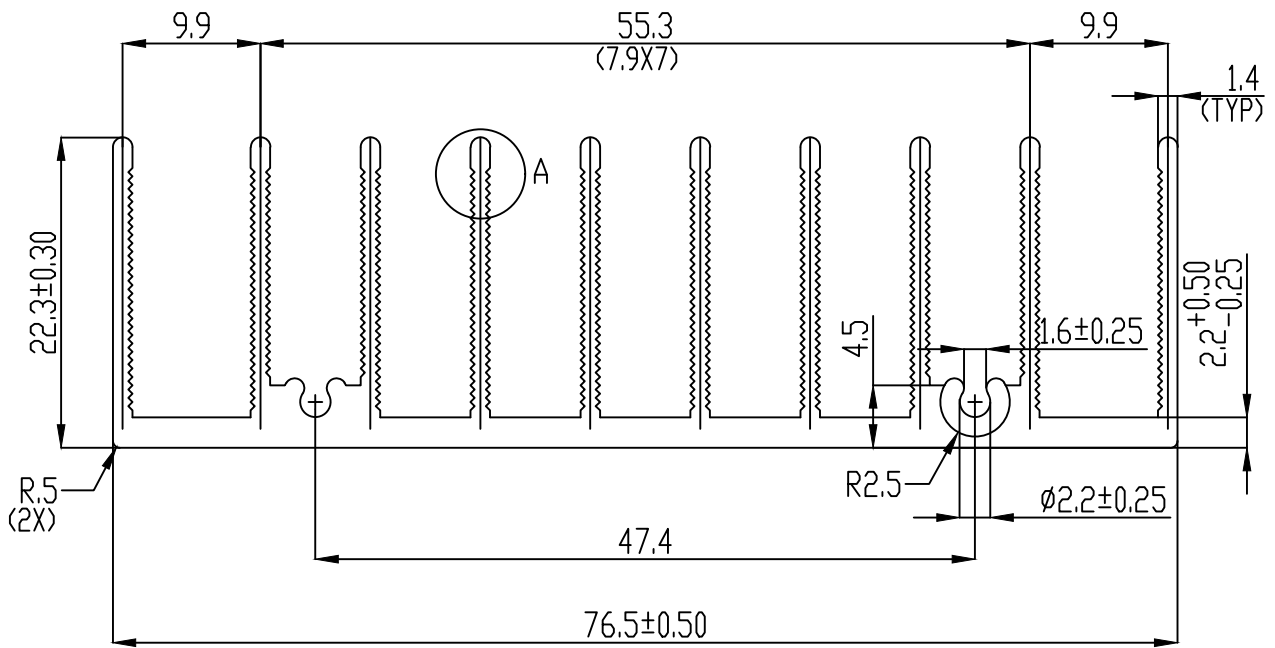



IAL-G-863
33681



DETAIL A  
SCALE 4 : 1



TWIST=±1/4°/300 M.M./M.  
 FLATNESS= WIDTH X 0.005mm.  
 STRAIGHTNESS= 1.50 M.M./MTR.  
 ANGULARITY=±1.5°

 SYMBOL OF QUALITY AN ISO 9001 COMPANY	<b>JINDAL ALUMINIUM LTD.</b> BANGALORE-560073 (INDIA)	NAME	DATE
		DRAWN	PARVESH 08-01-2022
1. ALL DIMENSIONS ARE IN mm. 2. ROUND OFF ALL SHARP CORNERS WITH 0.40 mm. 3. TOLERANCES WILL BE AS PER IS:3965-1981 , UNLESS OTHERWISE SPECIFIED		CHECKED	
		APPROVED	
PARTY'S NAME -		SCALE	2:1
		AREA mm <sup>2</sup>	425.51
PARTY'S DRAWING No. AS PER DRAWING		PERIMETER mm.	679.88
		WEIGHT kg/m	1.149
ALLOY & TEMPER 6063 T6		DRAWING No.	SECTION No.
		IAL-G-863	-
DESCRIPTION HEAT SINK		33681	33681