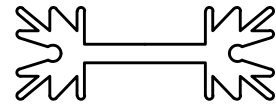
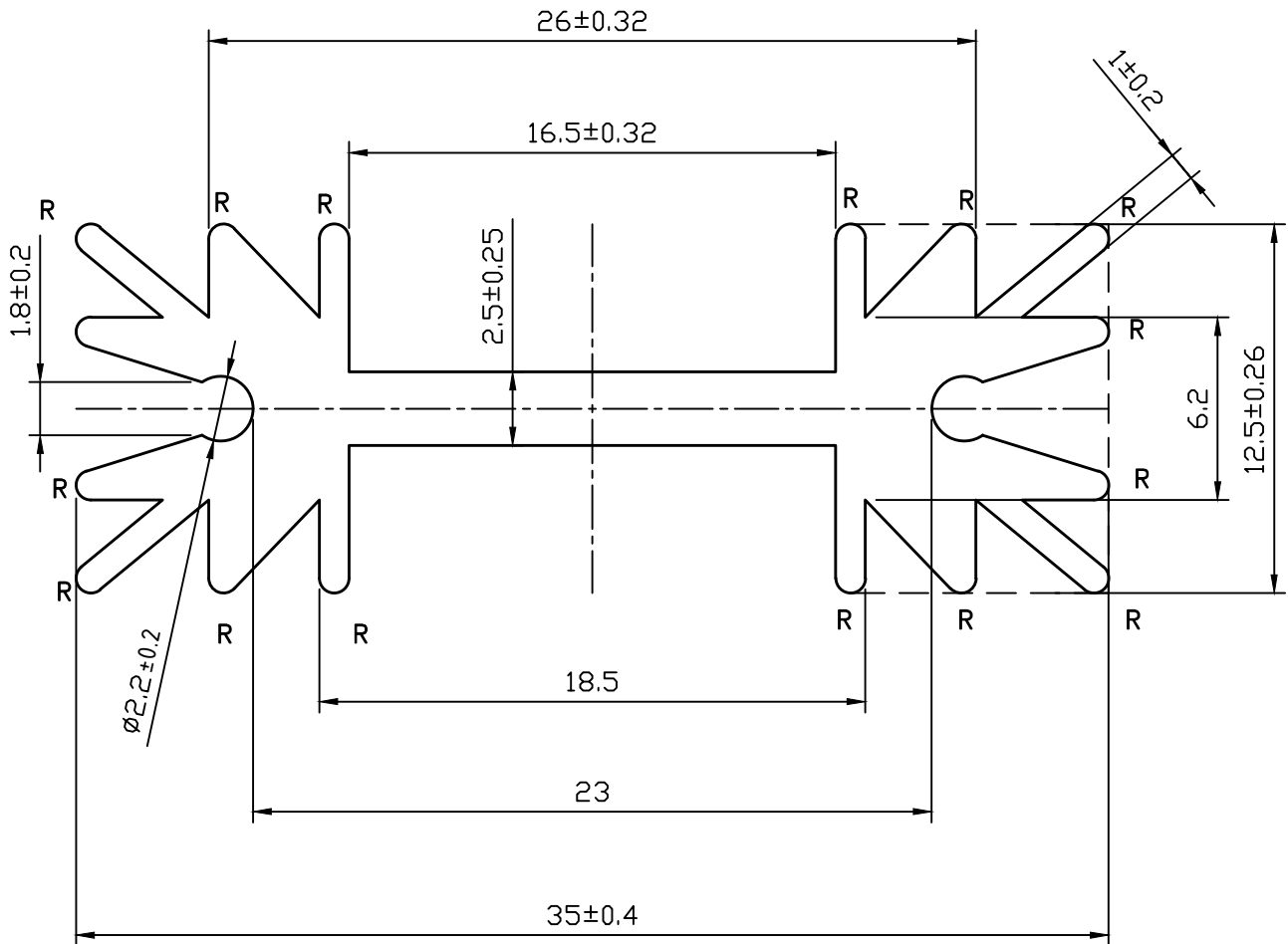


IAL-G-659

33684



SCALE: 1:1



NOTE:-

 $R = 0.5R$ 

SYMBOL OF QUALITY  
AN ISO 9001 COMPANY

**JINDAL ALUMINIUM LTD.**  
BANGALORE-560073 (INDIA)

	NAME	DATE
DRAWN	S.K.SHARMA	10-02-2022
CHECKED		
APPROVED		
SCALE		1:1&3:1
AREA mm <sup>2</sup>		168.5
PERIMETER mm.		182.32
WEIGHT kg/m		0.455
DRAWING No.		SECTION No.
IAL-G-659		-
33684		33684

1. ALL DIMENSIONS ARE IN mm.
2. ROUND OFF ALL SHARP CORNERS WITH 0.40 mm.
3. TOLERANCES WILL BE AS PER BS:EN-755-9 , UNLESS OTHERWISE SPECIFIED

PARTY'S NAME	M/S. MARKET
PARTY'S DRAWING No.	AS PER DRAWING
ALLOY & TEMPER	6063-T6
DESCRIPTION	HEAT SINK SECTION