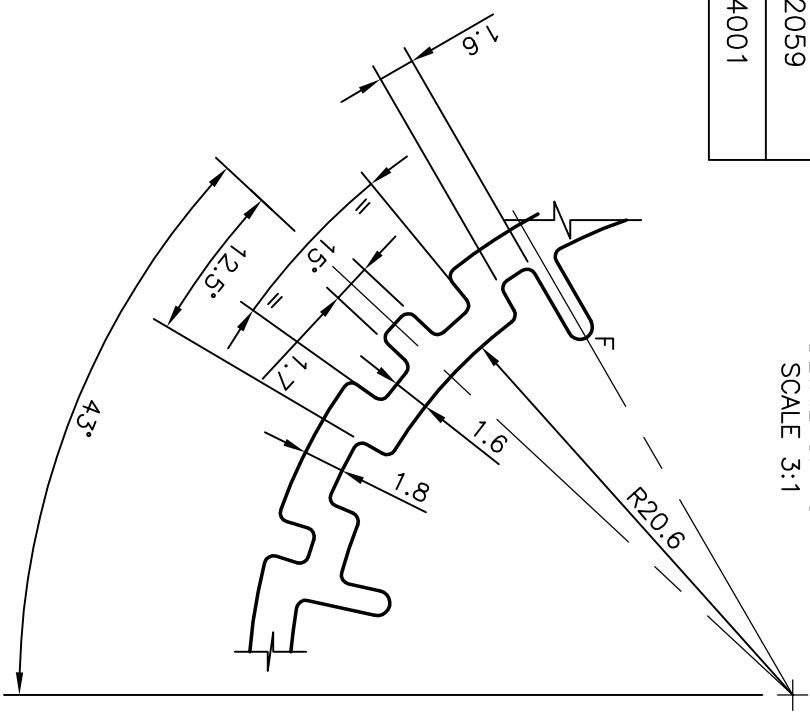
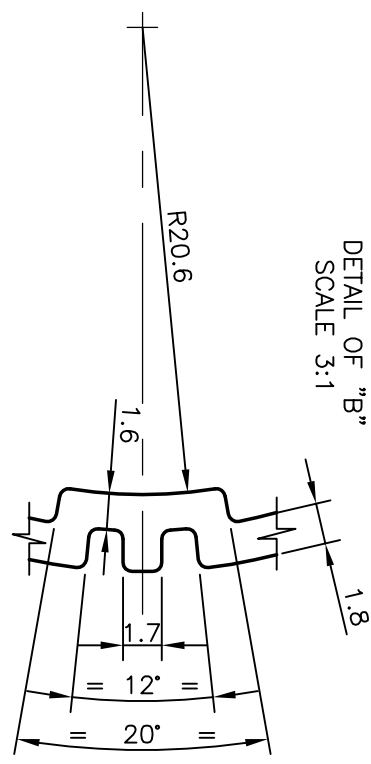


P-7384-1
S2059
34001

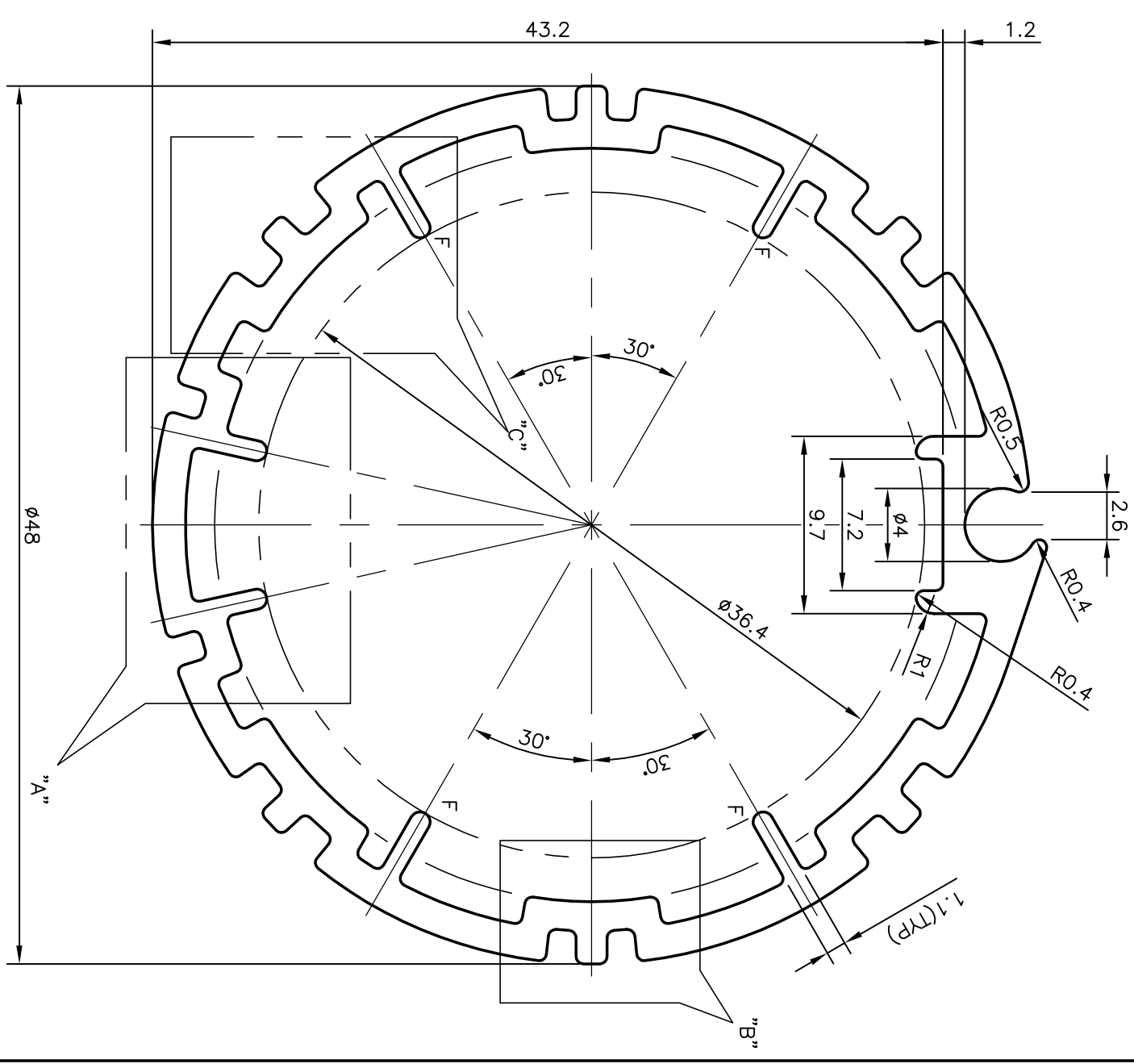
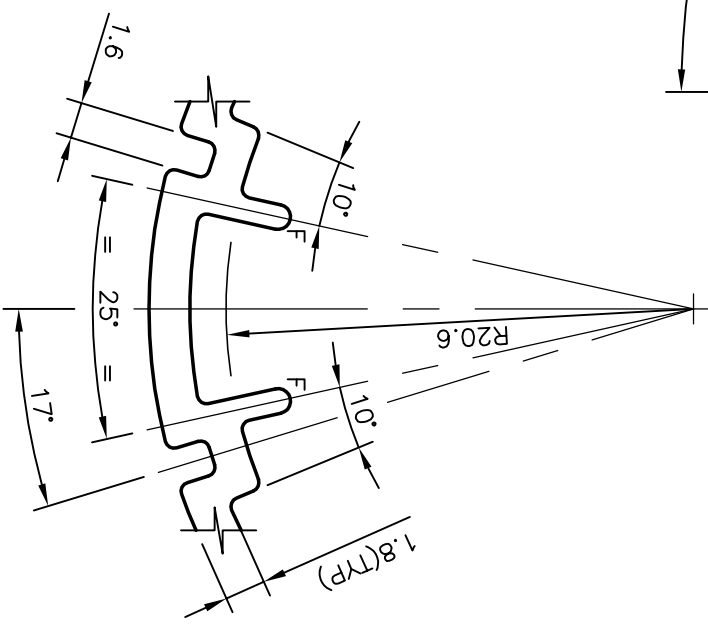
DETAIL OF "C"
SCALE 3:1



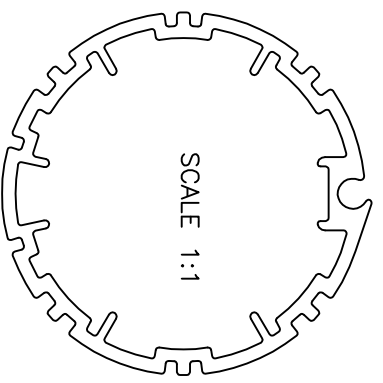
DETAIL OF "B"
SCALE 3:1




DETAIL OF "A"
SCALE 3:1



NOTE:-
1. F = FULL RADIUS (6 PLACES)



 SYMBOL OF QUALITY AN ISO 9001 COMPANY		JINDAL ALUMINIUM LTD. BANGALORE-560073 (INDIA)		DRAWN	NAME	DATE
				CHECKED	PRASANN. H	31-07-2007
1. ALL DIMENSIONS ARE IN mm. 2. ROUND OFF ALL SHARP CORNERS WITH 0.40 mm. 3. TOLERANCES WILL BE AS PER IS:6477-1983 UNLESS OTHERWISE SPECIFIED		SCALE		APPROVED		
		3:1				
PARTY'S NAME		HINDUSTAN MARKETING COMPANY, BANGALORE		AREA	mm ²	350.66
PARTY'S DRAWING No.		AS PER SAMPLE		PERIMETER	mm.	197.118
ALLOY & TEMPER		HE9 WP		WEIGHT	kg/m	0.947
DESCRIPTION		MISC. TUBE		DRAWING No.	SECTION No.	
				P-7384-1	-	
				S2059	S2059	
				34001	34001	