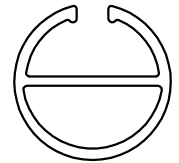


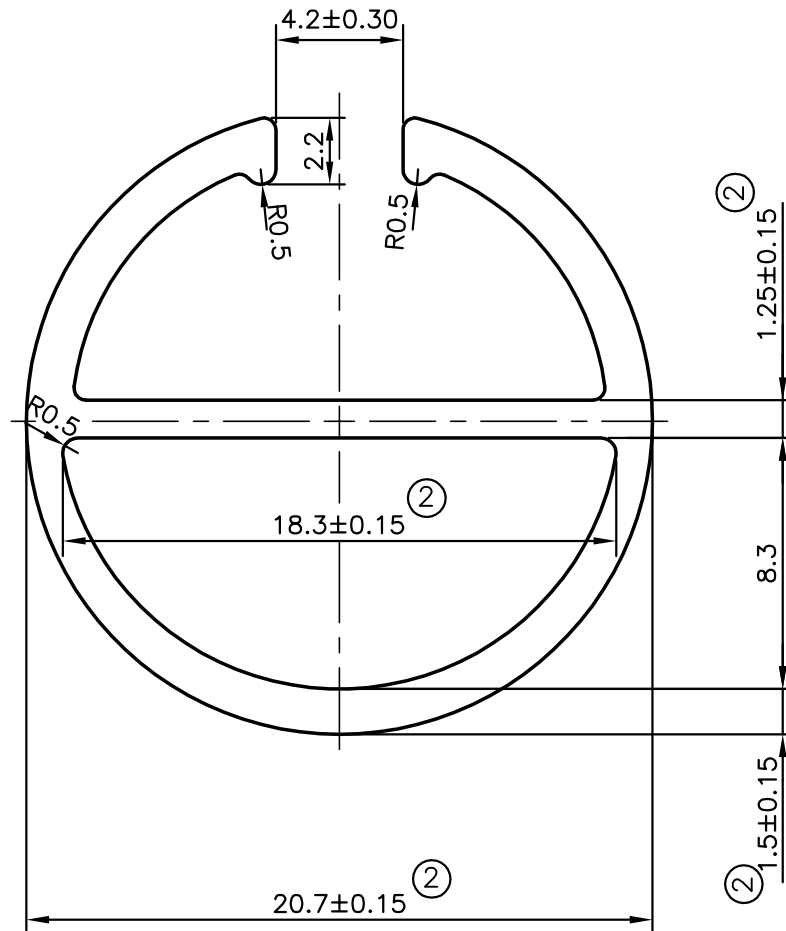
P-10109

S2575

34005



1:1

**ISSUE-2: -**

TOLERANCE CHANGED FROM 20.7 ± 0.30 TO 20.7 ± 0.15 & 1.5 ± 0.25 TO 1.5 ± 0.15
 TOLERANCE ADDED ON DIMENSION 18.3 ± 0.15 & 1.25 ± 0.15



SYMBOL OF QUALITY
AN ISO 9001 COMPANY

JINDAL ALUMINIUM LTD.
BANGALORE-560073 (INDIA)

	NAME	DATE
DRAWN	J.P.KAUSHIK	17-07-2013
CHECKED		
APPROVED	S.S.GARG	06-09-2013
SCALE		4:1
AREA mm ²		103.663
PERIMETER mm.		103.846
WEIGHT kg/m		0.280
DRAWING No.	SECTION No.	
P-10109	-	
S2575	S2575	
34005	34005(ISSUE-2)	

1. ALL DIMENSIONS ARE IN mm.
2. ROUND OFF ALL SHARP CORNERS WITH 0.40 mm.
3. TOLERANCES WILL BE AS PER IS:6477-1983 UNLESS OTHERWISE SPECIFIED

PARTY'S NAME	ACCUMAX INTERIOR PRODUCTS PVT. LTD., JAMNAGAR
PARTY'S DRAWING No.	AS PER DRAWING
ALLOY & TEMPER	HE9 WP
DESCRIPTION	VENETIAN BLIND SECTION