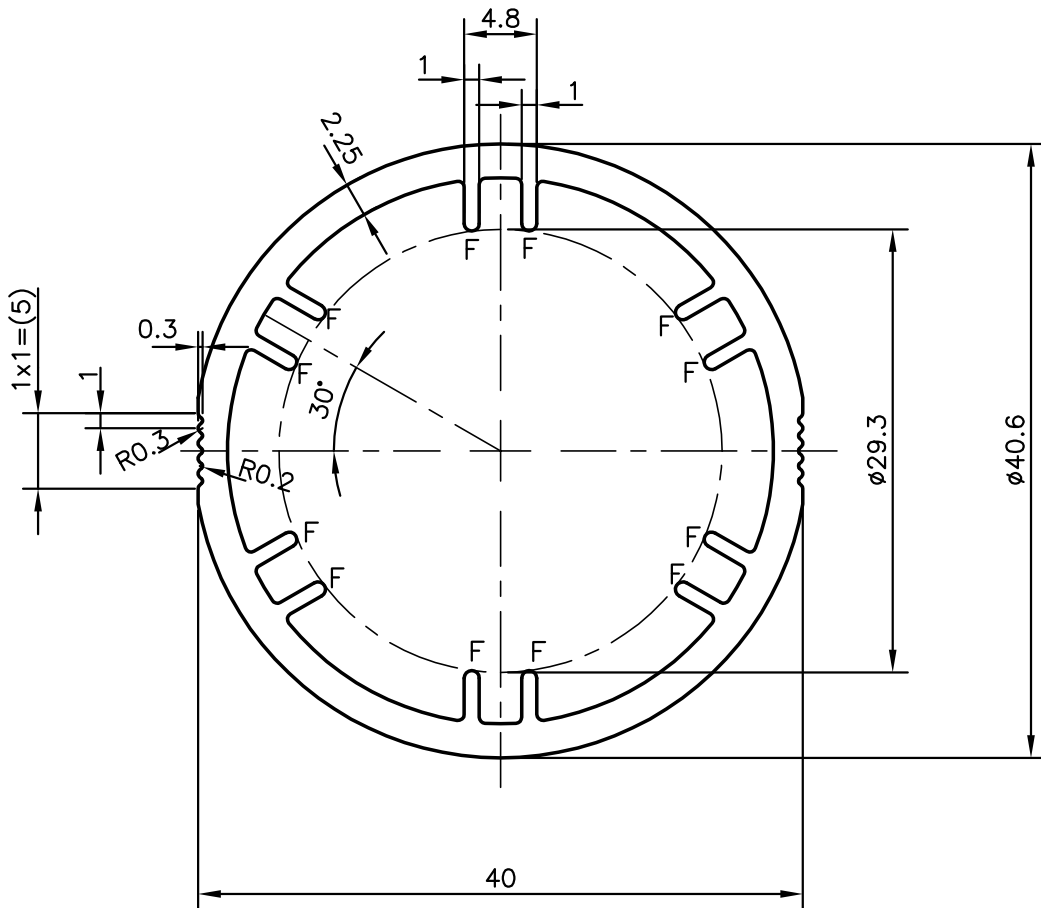
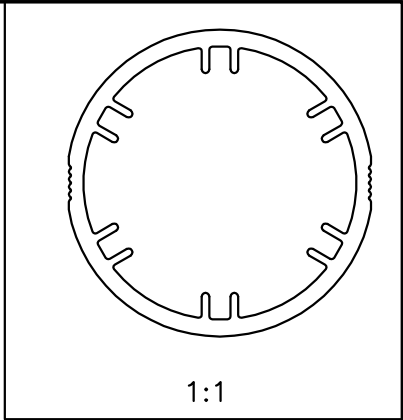



P-9653
S2386
34016



F = FULL RADIUS (12 PLACES)

 SYMBOL OF QUALITY AN ISO 9001 COMPANY	JINDAL ALUMINIUM LTD. BANGALORE-560073 (INDIA)	DRAWN	NAME	DATE
		CHECKED	J.P.KAUSHIK	21-11-2009
1. ALL DIMENSIONS ARE IN mm. 2. ROUND OFF ALL SHARP CORNERS WITH 0.40 mm. 3. TOLERANCES WILL BE AS PER IS:6477-1983 UNLESS OTHERWISE SPECIFIED		APPROVED		
		SCALE		2:1
PARTY'S NAME MAC LIFESTYLE PRODUCT PVT. LTD.,NEW DELHI		AREA mm ²		307.551
		PERIMETER mm.		129.577
PARTY'S DRAWING No. AS PER SAMPLE		WEIGHT kg/m		0.830
		DRAWING No.	SECTION No.	
ALLOY & TEMPER HE9 WP		P-9653	-	
		S2386	S2386	
DESCRIPTION MISC. TUBE		34016	34016	