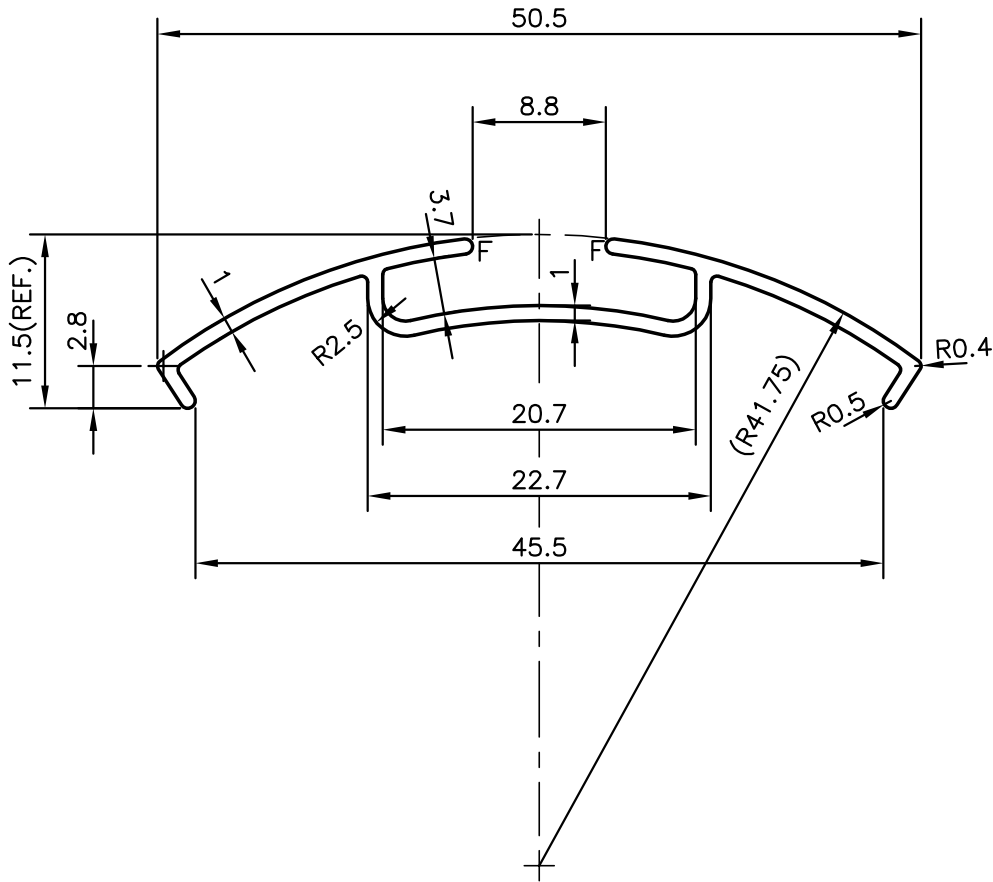
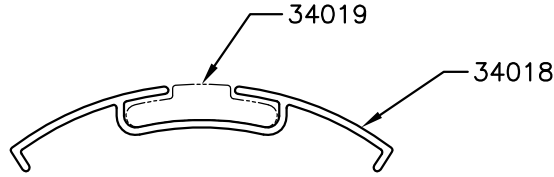
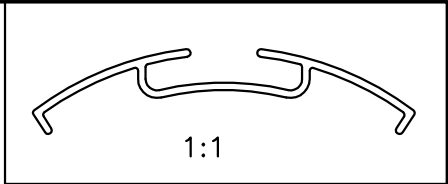



P-9672
X1239
34018



F = FULL RADIUS (2 PLACES)

 SYMBOL OF QUALITY AN ISO 9001 COMPANY	JINDAL ALUMINIUM LTD. BANGALORE-560073 (INDIA)	DRAWN	J.P.KAUSHIK	DATE	08-12-2009
		CHECKED			
1. ALL DIMENSIONS ARE IN mm. 2. ROUND OFF ALL SHARP CORNERS WITH 0.40 mm. 3. TOLERANCES WILL BE AS PER IS:3965-1981, UNLESS OTHERWISE SPECIFIED		SCALE	2:1		
		AREA mm ²	77.992		
PARTY'S NAME LOUVERLINE BLINDS, BANGALORE		PERIMETER mm.	155.261		
		WEIGHT kg/m	0.211		
PARTY'S DRAWING No. AS PER SAMPLE		DRAWING No.	SECTION No.		
		P-9672	-		
ALLOY & TEMPER HE9 WP		X1239	X1239		
		34018	34018		
DESCRIPTION MISC. SECTION					