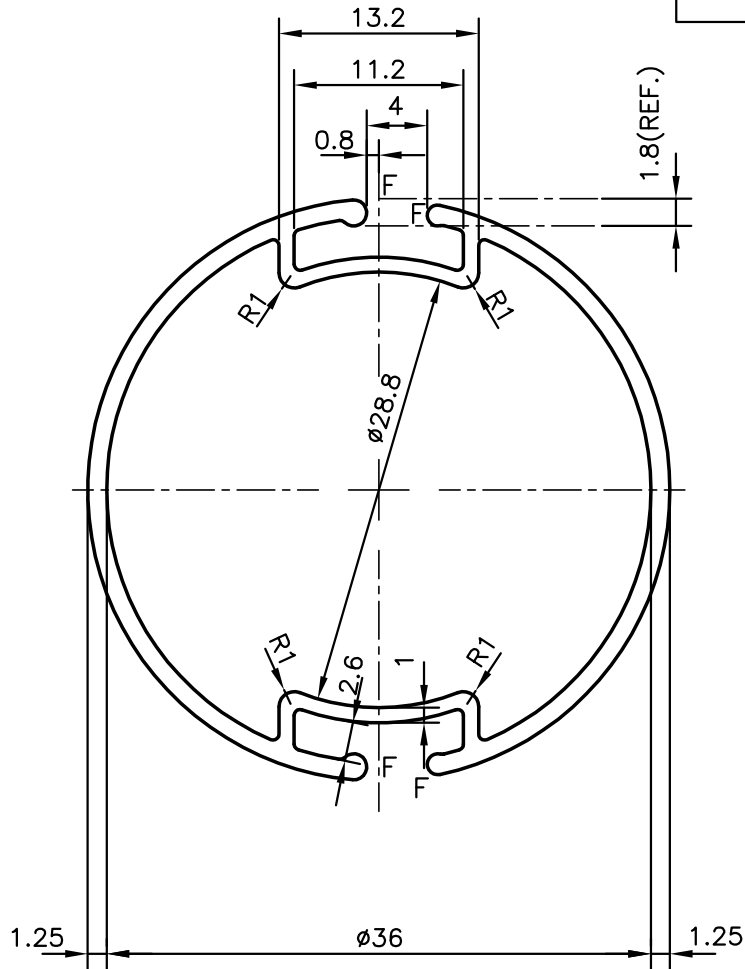
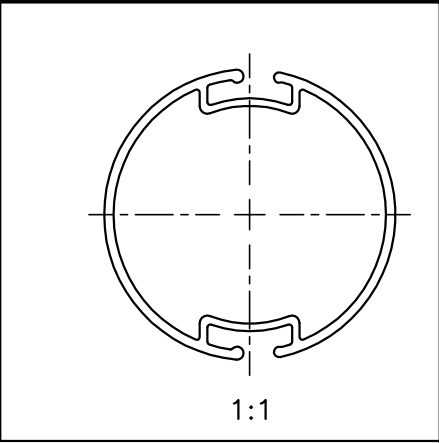



P-9674-1
 X1241
 34020



F = FULL RADIUS (4 PLACES)

 SYMBOL OF QUALITY AN ISO 9001 COMPANY	JINDAL ALUMINIUM LTD. BANGALORE-560073 (INDIA)	DRAWN	J.P.KAUSHIK	DATE	17-12-2009
		CHECKED			
1. ALL DIMENSIONS ARE IN mm. 2. ROUND OFF ALL SHARP CORNERS WITH 0.40 mm. 3. TOLERANCES WILL BE AS PER IS:6477-1983, UNLESS OTHERWISE SPECIFIED		SCALE	2:1		
		AREA mm ²	173.785		
PARTY'S NAME LOUVERLINE BLINDS, BANGALORE		PERIMETER mm.	163.457		
		WEIGHT kg/m	0.469		
PARTY'S DRAWING No. AS PER SAMPLE		DRAWING No.	SECTION No.		
		P-9674-1	-		
ALLOY & TEMPER HE9 WP		X1241	X1241		
		34020	34020		
DESCRIPTION LOUVER SECTION					