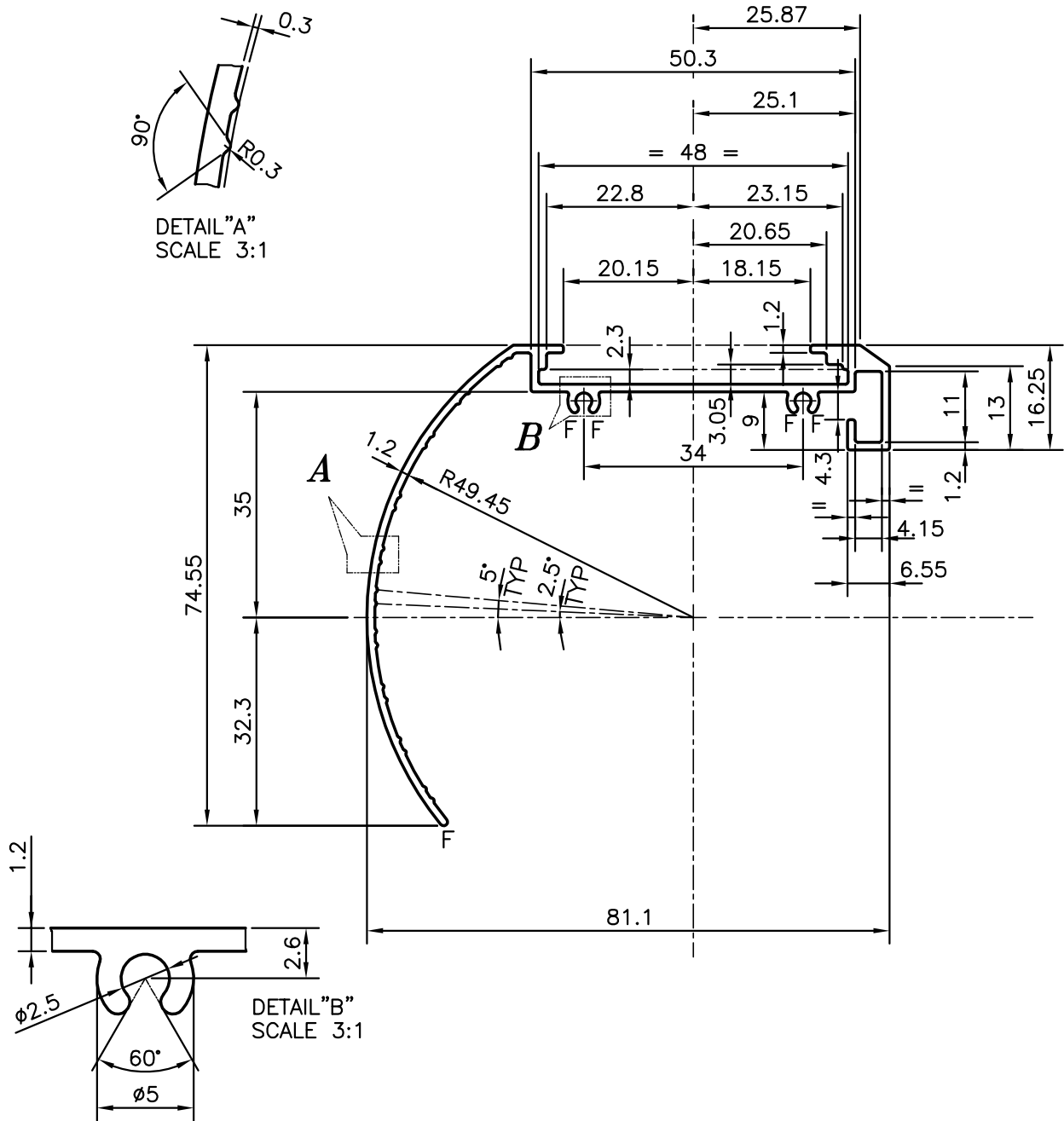



P-9679-1  
 X1242  
 34021



F= FULL RADIUS ( 5 PLACES)

 SYMBOL OF QUALITY AN ISO 9001 COMPANY	<b>JINDAL ALUMINIUM LTD.</b> BANGALORE-560073 (INDIA)	DRAWN	NAME	DATE
		CHECKED	J.P.KAUSHIK	17-12-2009
1. ALL DIMENSIONS ARE IN mm. 2. ROUND OFF ALL SHARP CORNERS WITH 0.40 mm. 3. TOLERANCES WILL BE AS PER IS:3965-1981, UNLESS OTHERWISE SPECIFIED		APPROVED		
		SCALE		1:1
PARTY'S NAME LOUVERLINE BLINDS, BANGALORE		AREA mm <sup>2</sup>		260.075
		PERIMETER mm.		391.473
PARTY'S DRAWING No. AS PER DRAWING & SAMPLE		WEIGHT kg/m		0.702
		DRAWING No.		
ALLOY & TEMPER HE9 WP		SECTION No.		
		P-9679-1		-
DESCRIPTION MISC. SECTION		X1242		X1242
		34021		34021