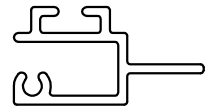


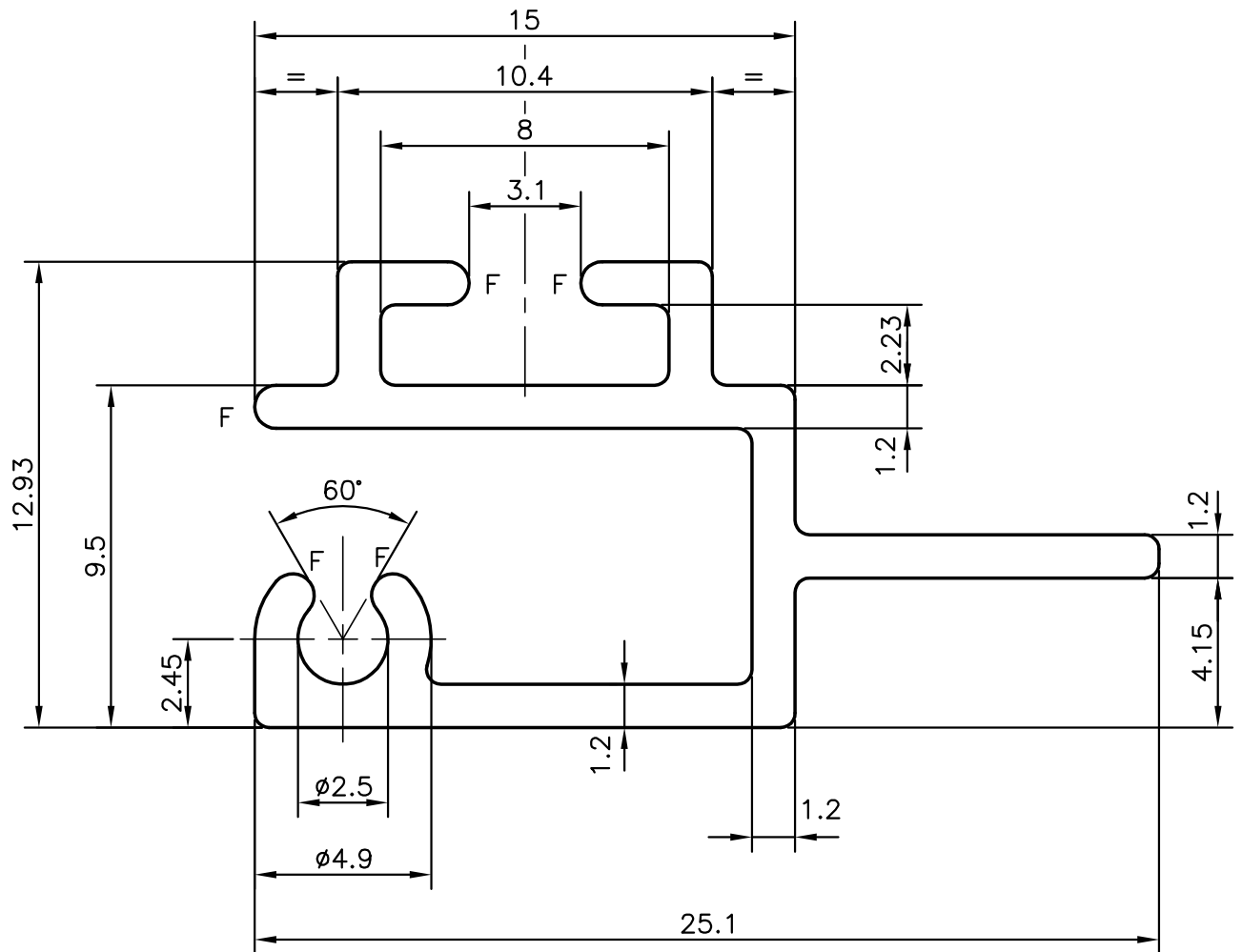
P-9936

S2508

34024



1:1



F = FULL RADIUS (5)



SYMBOL OF QUALITY
AN ISO 9001 COMPANY

JINDAL ALUMINIUM LTD.
BANGALORE-560073 (INDIA)

	NAME	DATE
DRAWN	J.P.KAUSHIK	27-03-2010
CHECKED		
APPROVED	S.S.GARG	05-04-2010
SCALE		5:1
AREA mm ²		78.317
PERIMETER mm.		126.43
WEIGHT kg/m		0.211
DRAWING No.	SECTION No.	
P-9936	-	
S2508	S2508	
34024	34024	

1. ALL DIMENSIONS ARE IN mm.
2. ROUND OFF ALL SHARP CORNERS WITH 0.40 mm.
3. TOLERANCES WILL BE AS PER IS:3965-1981, UNLESS OTHERWISE SPECIFIED

PARTY'S NAME	MAC LIFESTYLE PRODUCT PVT. LTD., NEW DELHI
PARTY'S DRAWING No.	AS PER DRAWING
ALLOY & TEMPER	HE9 WP
DESCRIPTION	MISC. SECTION