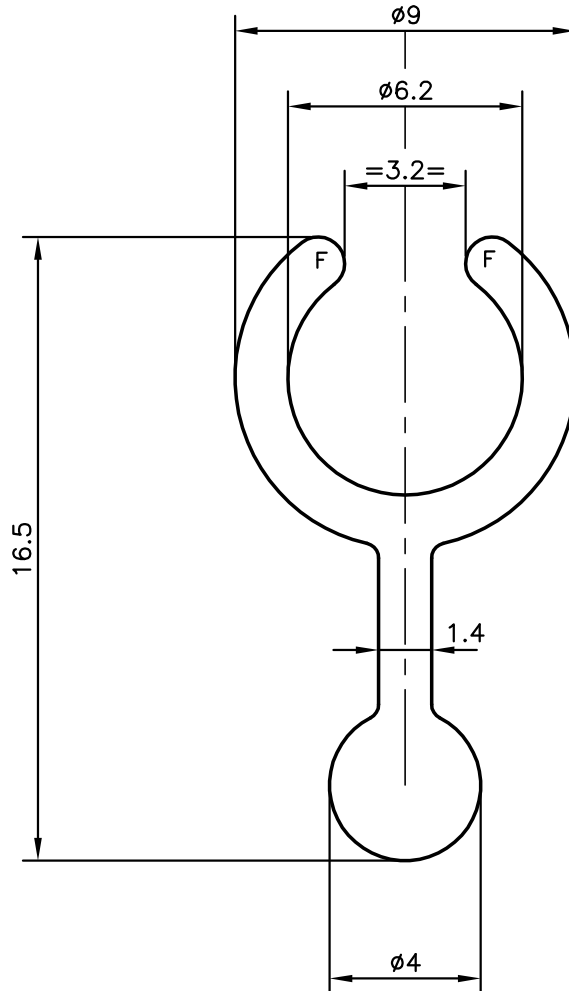


P-10176

X1341

34032



F = FULL RADIUS (2 PLACES)



SYMBOL OF QUALITY
AN ISO 9001 COMPANY

JINDAL ALUMINIUM LTD.
BANGALORE-560073 (INDIA)

	NAME	DATE
DRAWN	J.P.KAUSHIK	09-07-2010
CHECKED		
APPROVED	S.S.GARG	31-08-2010
SCALE		5:1
AREA mm ²		46.748
PERIMETER mm.		60.579
WEIGHT kg/m		0.126
DRAWING No.	SECTION No.	
P-10176	-	
X1341	X1341	
34032	34032	

1. ALL DIMENSIONS ARE IN mm.
2. ROUND OFF ALL SHARP CORNERS WITH 0.40 mm.
3. TOLERANCES WILL BE AS PER BS:EN-12020-2 UNLESS OTHERWISE SPECIFIED

PARTY'S NAME	MATTS CORNER INDIA PVT. LTD., BANGALORE
PARTY'S DRAWING No.	AS PER DRAWING
ALLOY & TEMPER	HE9 WP
DESCRIPTION	MISC. SECTION