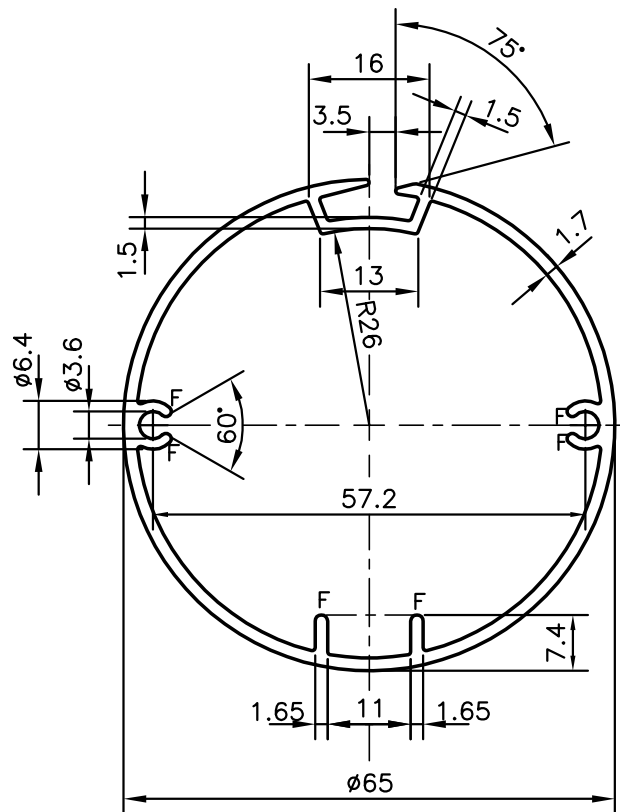


P-10657

S2811

34036



F = FULL RADIUS (6 PLACES)



SYMBOL OF QUALITY
AN ISO 9001 COMPANY

JINDAL ALUMINIUM LTD.
BANGALORE-560073 (INDIA)

	NAME	DATE
DRAWN	J.P.KAUSHIK	17-12-2010
CHECKED		
APPROVED	S.S.GARG	24-12-2010
SCALE		1:1
AREA mm ²		404.313
PERIMETER mm.		228.701
WEIGHT kg/m		1.092

1. ALL DIMENSIONS ARE IN mm.
2. ROUND OFF ALL SHARP CORNERS WITH 0.40 mm.
3. TOLERANCES WILL BE AS PER IS:6477-1983 UNLESS OTHERWISE SPECIFIED

PARTY'S NAME	MAC LIFESTYLE PRODUCT PVT. LTD., NEW DELHI	DRAWING No.	P-10657	SECTION No.	-
PARTY'S DRAWING No.	AS PERSAMPLE		S2811		S2811
ALLOY & TEMPER	HE9 WP		34036		34036
DESCRIPTION	VENETIAN BLIND SECTION				