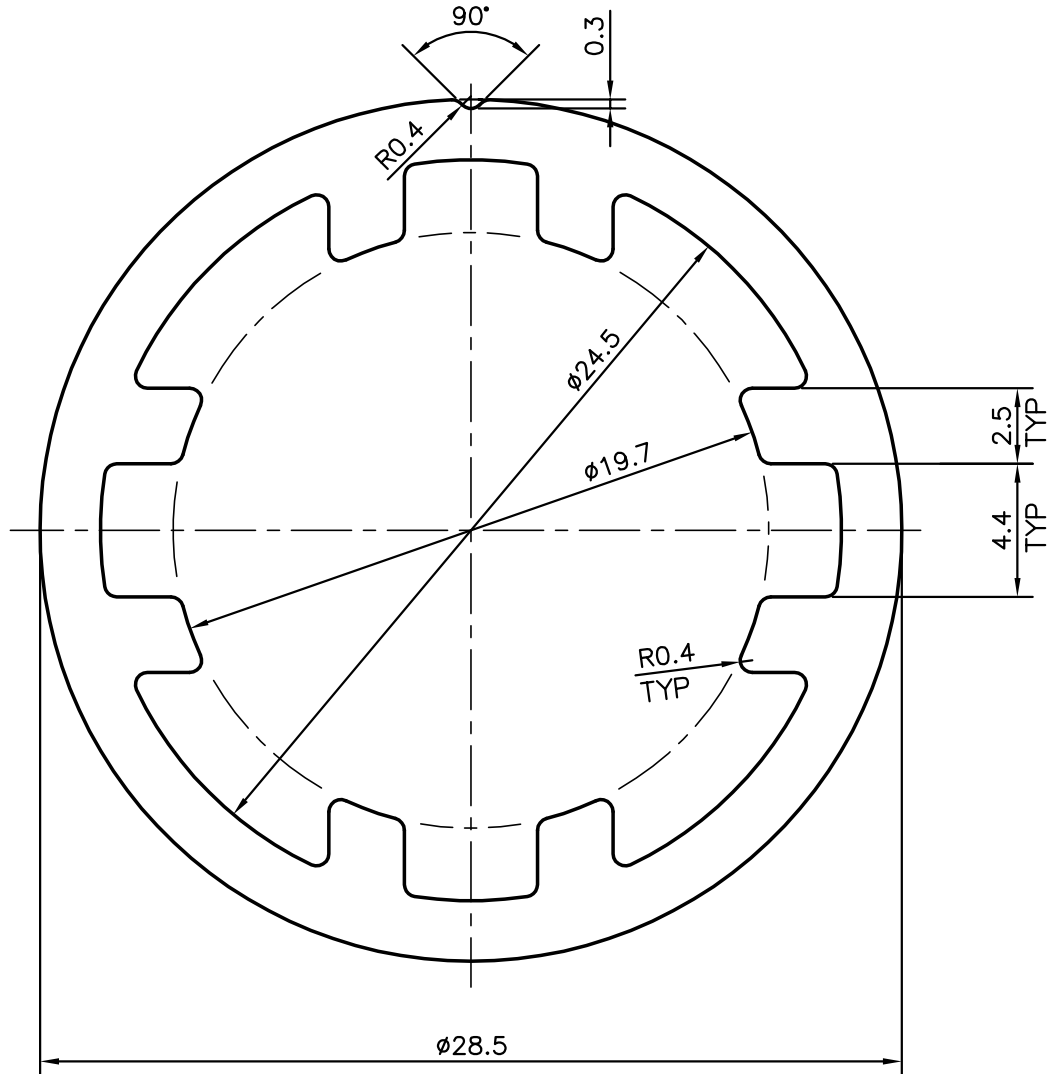
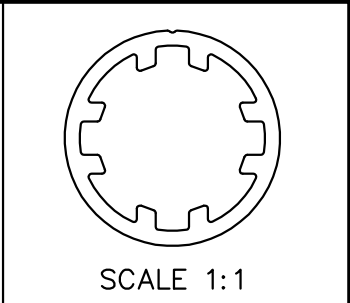


P-11160
S3029
34044



JINDAL ALUMINIUM LTD.
BANGALORE-560073 (INDIA)

	NAME	DATE
DRAWN	J.P.KAUSHIK	10-08-2011
CHECKED		
APPROVED	S.S.GARG	11-08-2011
SCALE		4:1
AREA mm ²		217.036
PERIMETER mm.		89.703
WEIGHT kg/m		0.586
DRAWING No.	SECTION No.	
P-11160	-	
S3029	S3029	
34044	34044	

1. ALL DIMENSIONS ARE IN mm.
2. ROUND OFF ALL SHARP CORNERS WITH 0.50 mm.
3. TOLERANCES WILL BE AS PER BS:EN-755-9 UNLESS OTHERWISE SPECIFIED

PARTY'S NAME	LUCKY ENGINEERING WORKS, THANE
PARTY'S DRAWING No.	AS PER X312(ISSUE-3)
ALLOY & TEMPER	6005 T5
DESCRIPTION	28.5 mm ROLL TUBE (RT-04)