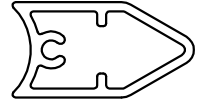


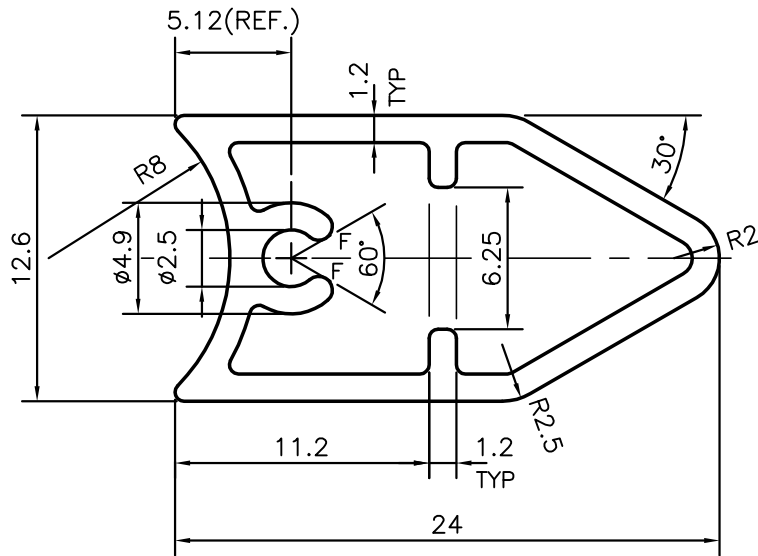
P-10910-1

X1498

34047



1:1



F= FULL RADIUS ( 2 PLACES )



SYMBOL OF QUALITY  
AN ISO 9002 COMPANY

**JINDAL ALUMINIUM LTD.**  
**BANGALORE-560073 (INDIA)**

	NAME	DATE
DRAWN	J.P.KAUSHIK	04-05-2011
CHECKED		
APPROVED	S.S.GARG	11-05-2011
SCALE		3:1
AREA	mm <sup>2</sup>	87.532
PERIMETER	mm.	66.115
WEIGHT	kg/m	0.236
DRAWING No.	SECTION No.	
P-10910-1	-	
X1498	X1498	
34047	34047	

1. ALL DIMENSIONS ARE IN mm.
2. ROUND OFF ALL SHARP CORNERS WITH 0.40 mm.
3. TOLERANCES WILL BE AS PER IS:6477-1983 UNLESS OTHERWISE SPECIFIED

PARTY'S NAME	LOUVERLINE BLINDS, BANGALORE
PARTY'S DRAWING No.	AS PER SAMPLE
ALLOY & TEMPER	HE9 WP
DESCRIPTION	VENETION BLIND SECTION