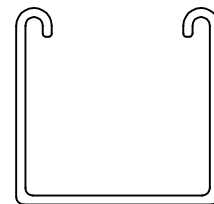


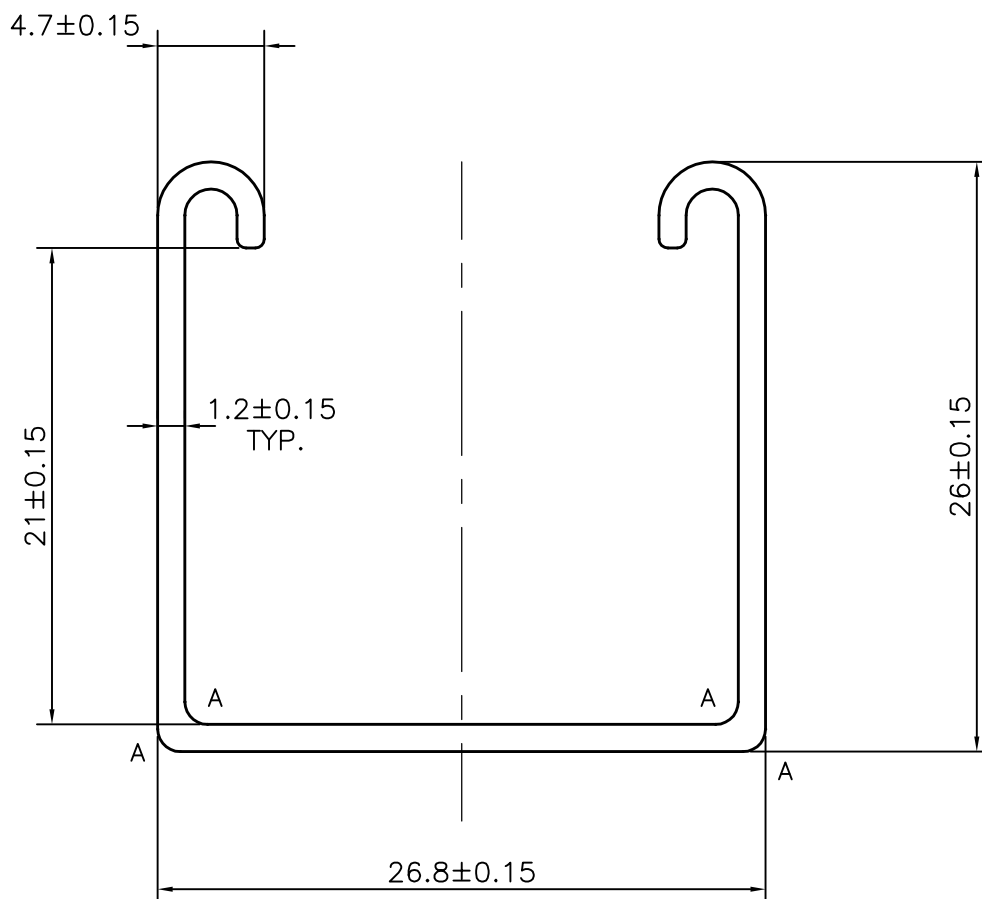
P-11510-1

X1580

34052



SCALE :- 1:1



A = RADIUS 1 mm. (4 PLACES)



SYMBOL OF QUALITY
AN ISO 9001 COMPANY

JINDAL ALUMINIUM LTD.
BANGALORE-560073 (INDIA)

| | NAME | DATE |
|----------|-----------|------------|
| DRAWN | PARVESH | 14-02-2012 |
| CHECKED | | |
| APPROVED | S.S. GARG | 18-02-2012 |

1. ALL DIMENSIONS ARE IN mm.
2. ROUND OFF ALL SHARP CORNERS WITH 0.40 mm.
3. TOLERANCES WILL BE AS PER IS:3965-1981, UNLESS OTHERWISE SPECIFIED

| | |
|----------------------|---------|
| SCALE | 3:1 |
| AREA mm ² | 102.577 |
| PERIMETER mm. | 171.188 |
| WEIGHT kg/m | 0.277 |

| | |
|---------------------|------------------------------|
| PARTY'S NAME | LOUVERLINE BLINDS, BANGALORE |
| PARTY'S DRAWING No. | AS PER DRAWING |
| ALLOY & TEMPER | HE9 WP |
| DESCRIPTION | VENETIAN BLIND SECTION |

| DRAWING No. | SECTION No. |
|-------------|-------------|
| P-11510-1 | - |
| X1580 | X1580 |
| 34052 | 34052 |