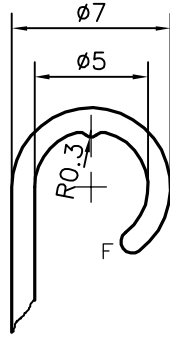


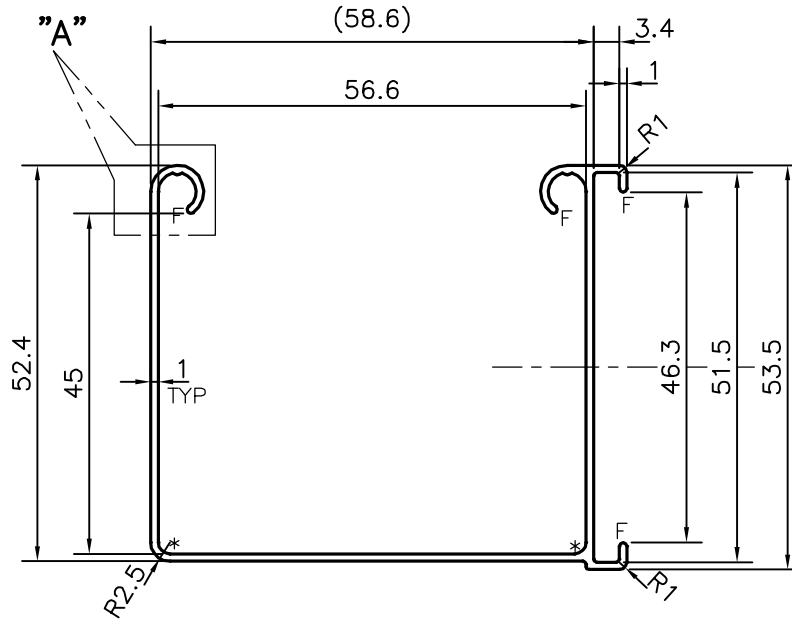
P-11981-3

S3567

34053



DETAIL "A"
SCALE 3:1



* = 1.5 RADIUS (2 PLACES)
F = FULL RADIUS (4 PLACES)



SYMBOL OF QUALITY
AN ISO 9001 COMPANY

JINDAL ALUMINIUM LTD.
BANGALORE-560073 (INDIA)

	NAME	DATE
DRAWN	J.P.KAUSHIK	25-09-2012
CHECKED		
APPROVED	S.S.GARG	23-11-2012
SCALE		1:1
AREA mm ²		196.778
PERIMETER mm.		387.61
WEIGHT kg/m		0.531
DRAWING No.	SECTION No.	
P-11981-3	-	
S3567	S3567	
34053	34053	

1. ALL DIMENSIONS ARE IN mm.
2. ROUND OFF ALL SHARP CORNERS WITH 0.40 mm.
3. TOLERANCES WILL BE AS PER, BS:EN-755-9 UNLESS OTHERWISE SPECIFIED

PARTY'S NAME	ACCUMAX INTERIOR PRODUCTS PVT. LTD., JAMNAGAR
PARTY'S DRAWING No.	AS PER SAMPLE
ALLOY & TEMPER	HE9 WP
DESCRIPTION	MISC. CHANNEL