

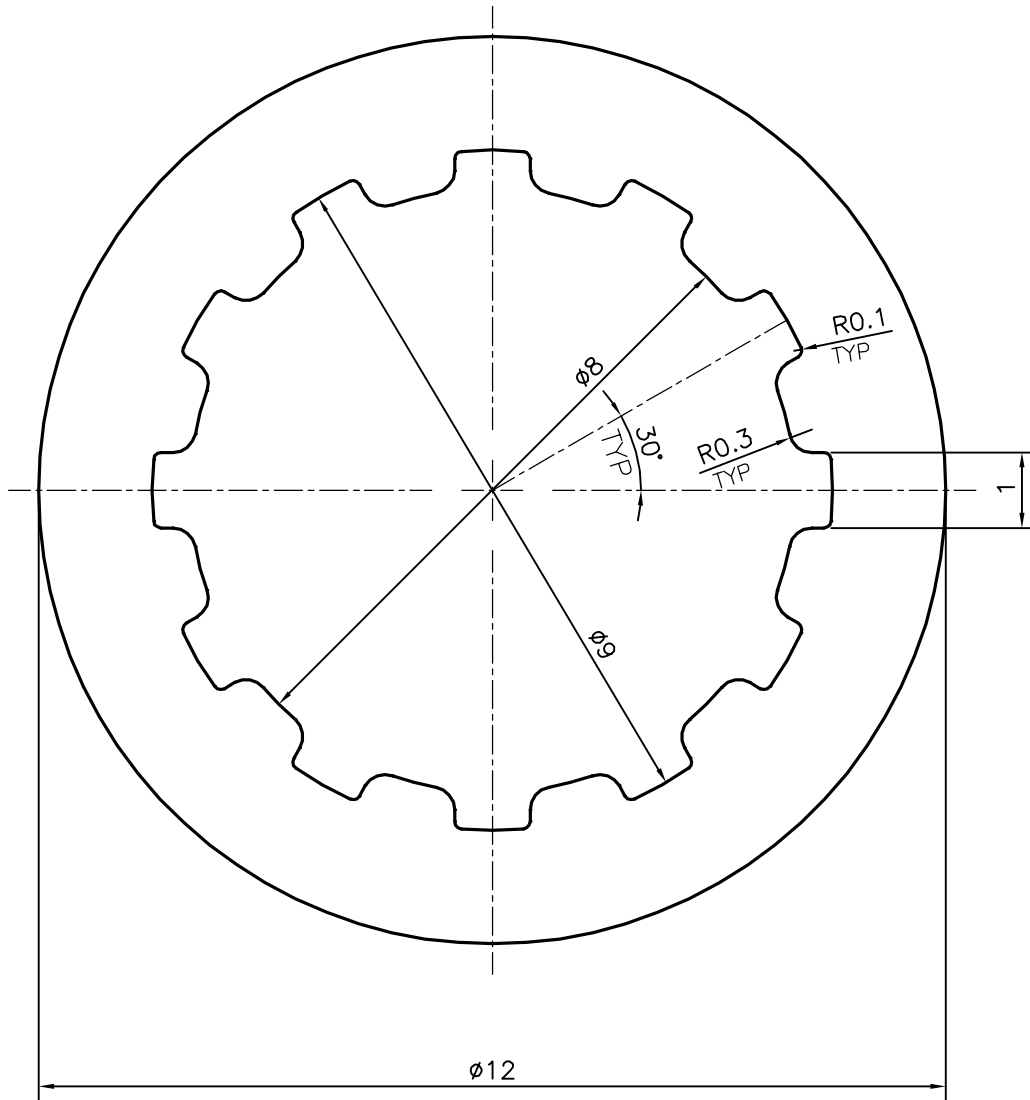
P-14105

S4728

34058



SCALE:- 1:1



SYMBOL OF QUALITY  
AN ISO 9001 COMPANY

**JINDAL ALUMINIUM LTD.**  
BANGALORE-560073 (INDIA)

	NAME	DATE
DRAWN	J.P.KAUSHIK	14-11-2014
CHECKED		
APPROVED	S.S.GARG	12-11-2015
SCALE		10:1
AREA mm <sup>2</sup>		56.548
PERIMETER mm.		37.699
WEIGHT kg/m		0.153
DRAWING No.	SECTION No.	
P-14105	-	
S4728	S4728	
34058	34058	

1. ALL DIMENSIONS ARE IN mm.
2. ROUND OFF ALL SHARP CORNERS WITH 0.40 mm.
3. TOLERANCES WILL BE AS PER IS:6477-1983 , UNLESS OTHERWISE SPECIFIED

PARTY'S NAME	LIVIN PRODUCTS PVT. LTD., DELHI
PARTY'S DRAWING No.	AS PER DRAWING
ALLOY & TEMPER	6063 T6
DESCRIPTION	ROUND TUBE-MISC.