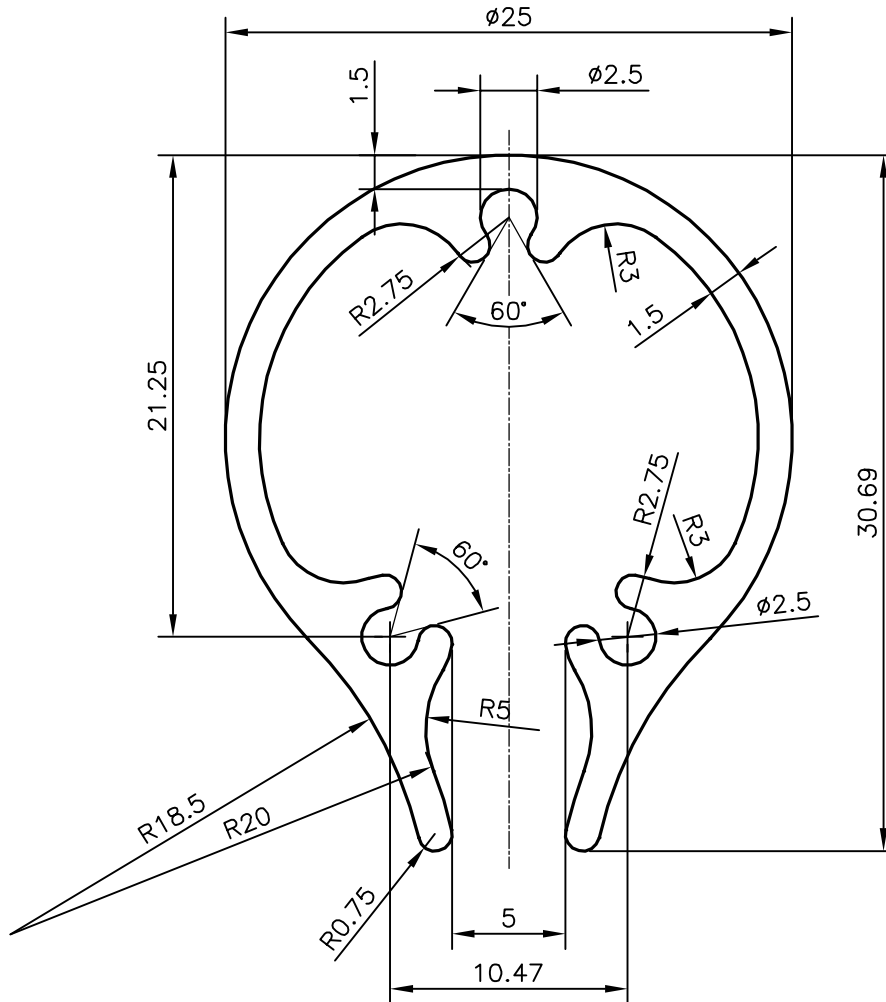
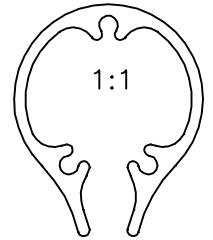


P-14112

S4729

34059



SYMBOL OF QUALITY  
AN ISO 9001 COMPANY

**JINDAL ALUMINIUM LTD.**  
BANGALORE-560073 (INDIA)

	NAME	DATE
DRAWN	J.P.KAUSHIK	19-11-2014
CHECKED		
APPROVED	S.S.GARG	12-11-2015
SCALE		3:1
AREA mm <sup>2</sup>		159.659
PERIMETER mm.		182.324
WEIGHT kg/m		0.431
DRAWING No.	SECTION No.	
P-14112	-	
S4729	S4729	
34059	34059	

1. ALL DIMENSIONS ARE IN mm.
2. ROUND OFF ALL SHARP CORNERS WITH 0.40 mm.
3. TOLERANCES WILL BE AS PER IS:3965-1981 , UNLESS OTHERWISE SPECIFIED

PARTY'S NAME	LIVIN PRODUCTS PVT. LTD., DELHI
PARTY'S DRAWING No.	AS PER DRAWING
ALLOY & TEMPER	6063 T6
DESCRIPTION	MISC. SECTION