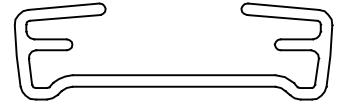


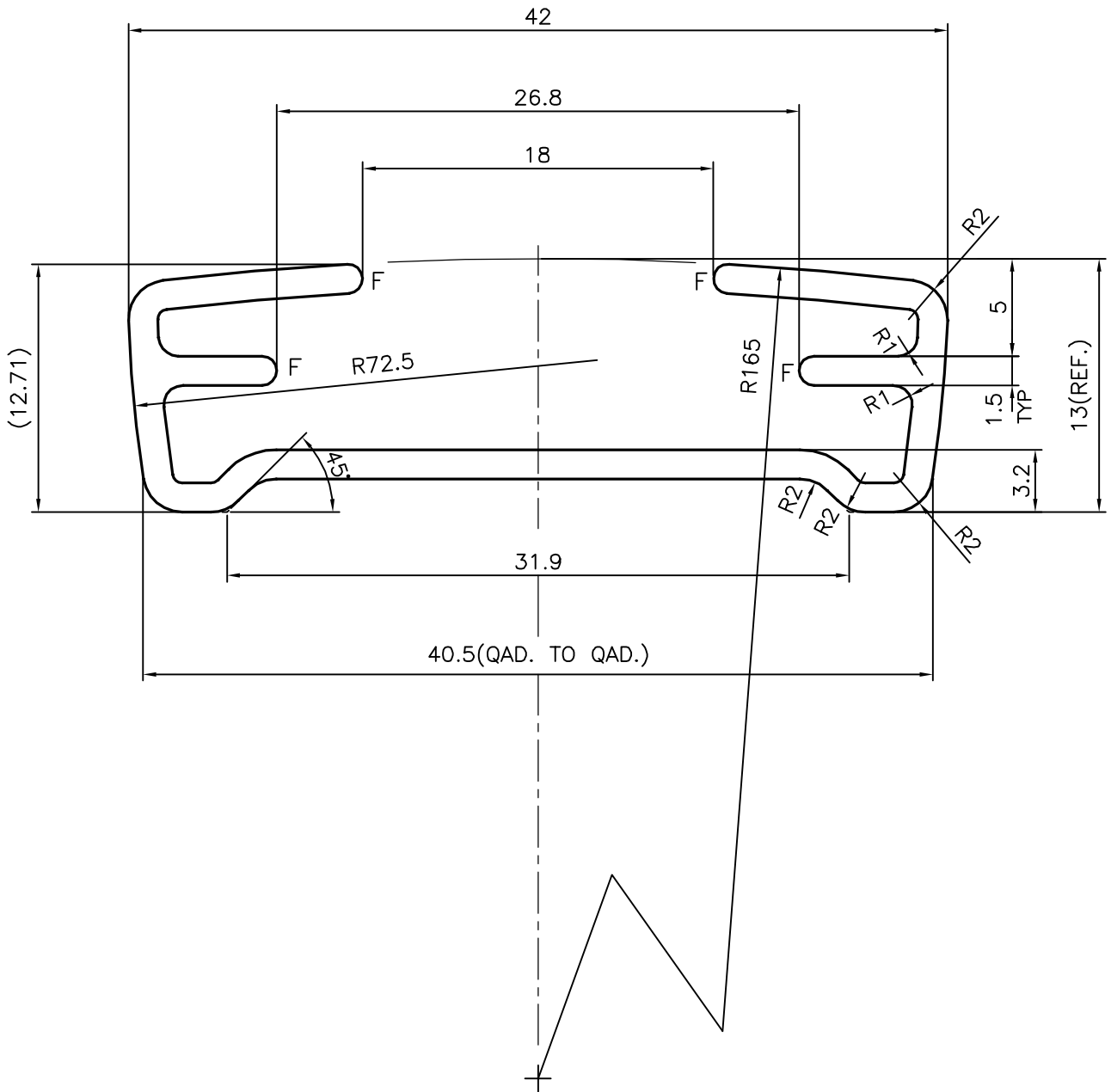
P-15283

S4730

34060



1:1



F = FULL RADIUS (4 PLACES)



SYMBOL OF QUALITY  
AN ISO 9001 COMPANY

**JINDAL ALUMINIUM LTD.**  
BANGALORE-560073 (INDIA)

	NAME	DATE
DRAWN	J.P.KAUSHIK	31-10-2015
CHECKED		
APPROVED	S.S.GARG	12-11-2015
SCALE		3:1
AREA mm <sup>2</sup>		139.818
PERIMETER mm.		185.088
WEIGHT kg/m		0.378
DRAWING No.	SECTION No.	
P-15283		
S4730	S4730	
34060	34060	

1. ALL DIMENSIONS ARE IN mm.
2. ROUND OFF ALL SHARP CORNERS WITH 0.40 mm.
3. TOLERANCES WILL BE AS PER IS:3965-1981 UNLESS OTHERWISE SPECIFIED

PARTY'S NAME	LIVIN PRODUCTS PVT. LTD., DELHI
PARTY'S DRAWING No.	AS PER DRAWING
ALLOY & TEMPER	6063 T6
DESCRIPTION	MISC. SECTION.