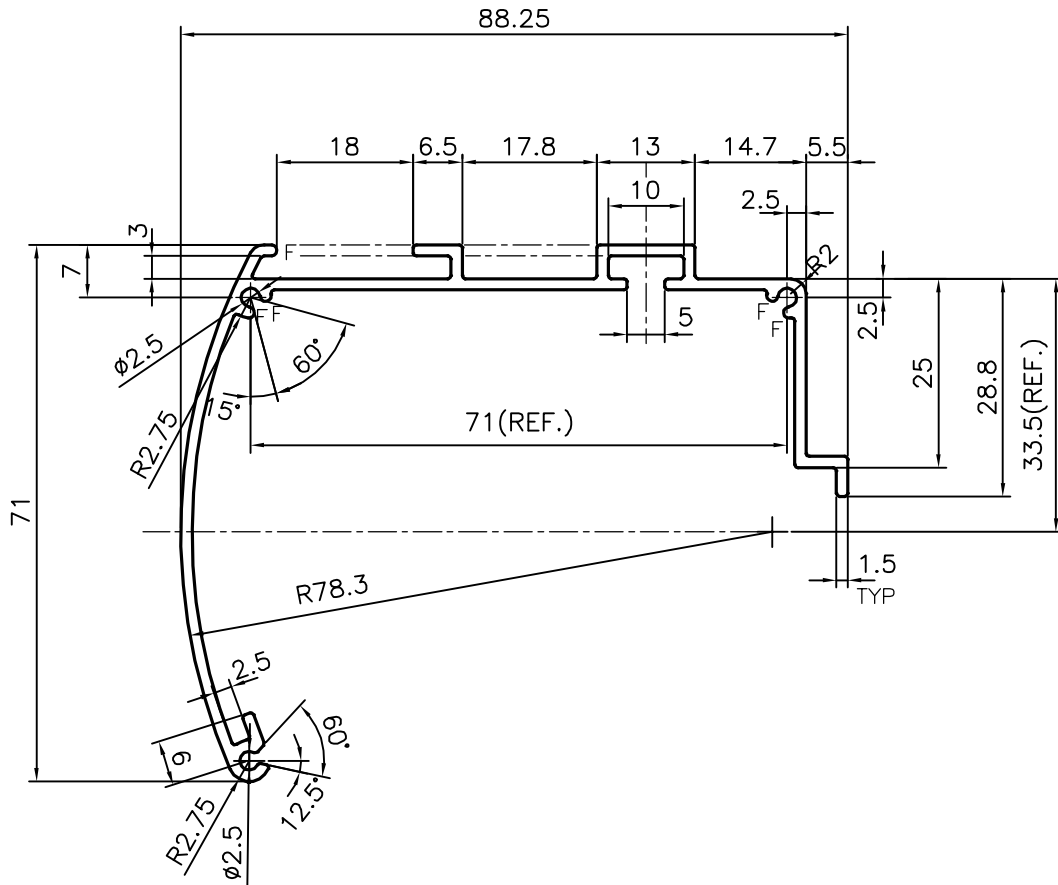


P-15344

S4748

34062



F = FULL RADIUS (5 PLACES)



SYMBOL OF QUALITY
AN ISO 9001 COMPANY

JINDAL ALUMINIUM LTD.
BANGALORE-560073 (INDIA)

	NAME	DATE
DRAWN	J.P.KAUSHIK	24-11-2015
CHECKED		
APPROVED	S.S.GARG	01-12-2015
SCALE		1:1
AREA mm ²		332.229
PERIMETER mm.		436.229
WEIGHT kg/m		0.897
DRAWING No.	SECTION No.	
P-15344	-	
S4748	S4748	
34062	34062	

1. ALL DIMENSIONS ARE IN mm.
2. ROUND OFF ALL SHARP CORNERS WITH 0.40 mm.
3. TOLERANCES WILL BE AS PER IS:3965-1981 , UNLESS OTHERWISE SPECIFIED

PARTY'S NAME	LIVIN PRODUCTS PVT. LTD., DELHI
PARTY'S DRAWING No.	AS PER DRAWING
ALLOY & TEMPER	6063 T6
DESCRIPTION	PALLMET SECTION