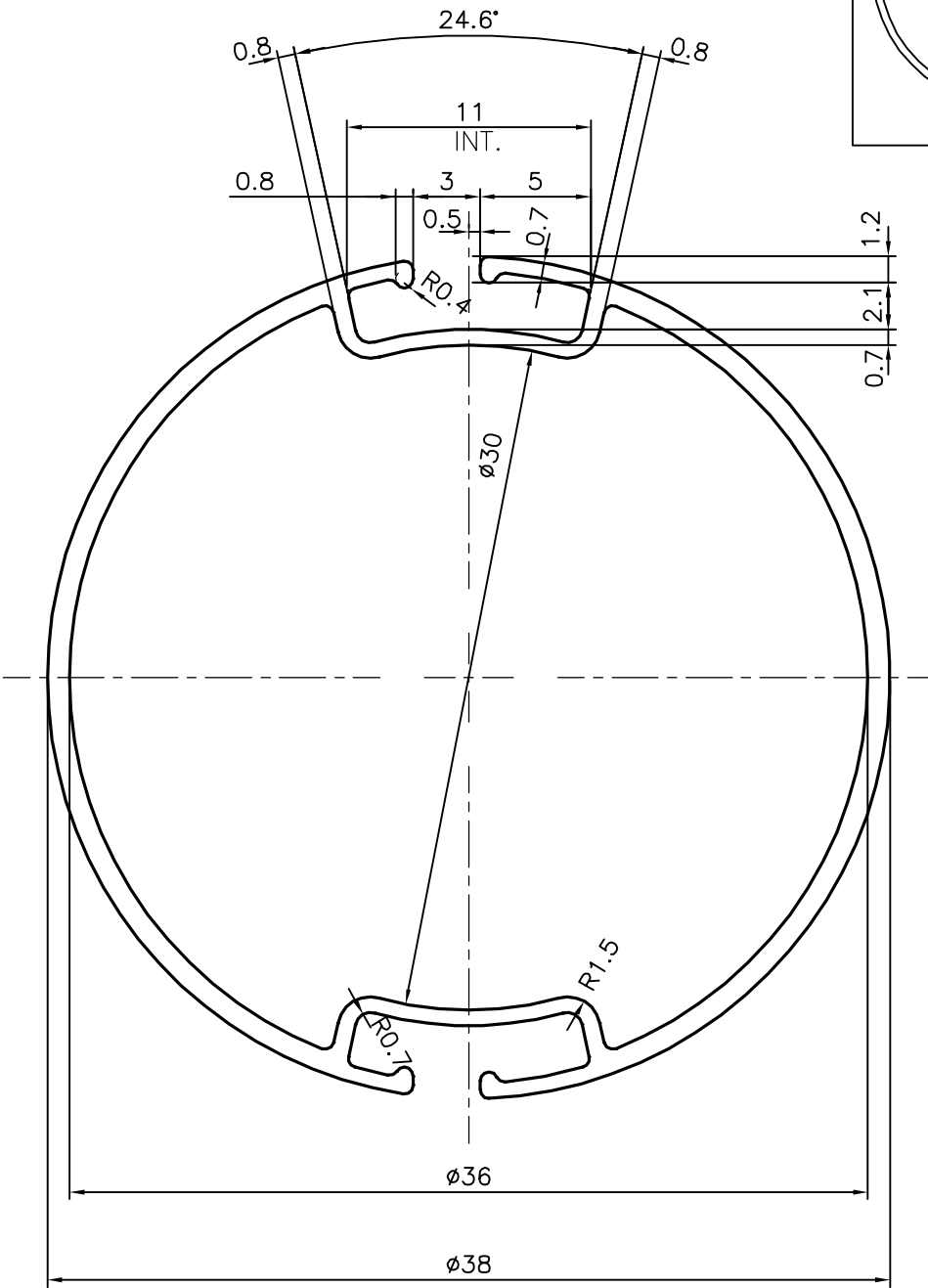
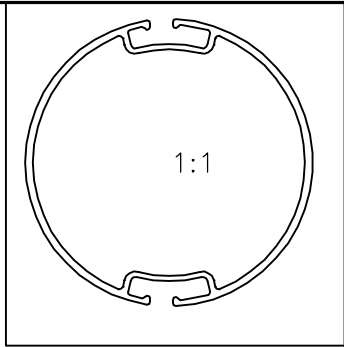


P-13671-1
S4156
34069



JINDAL ALUMINIUM LTD.
BANGALORE-560073 (INDIA)

	NAME	DATE
DRAWN	J.P.KAUSHIK	24-06-2014
CHECKED		
APPROVED	S.S.GARG	30-06-2014
SCALE		3:1
AREA mm ²		128.907
PERIMETER mm.		162.837
WEIGHT kg/m		0.348
DRAWING No.	SECTION No.	
P-13671-1	-	
S4156	S4156	
34069	34069	

1. ALL DIMENSIONS ARE IN mm.
2. ROUND OFF ALL SHARP CORNERS WITH 0.40 mm.
3. TOLERANCES WILL BE AS PER, IS:6477-1983 UNLESS OTHERWISE SPECIFIED

PARTY'S NAME	NBT EXPORTS PVT. LTD., MUMBAI
PARTY'S DRAWING No.	JW-103
ALLOY & TEMPER	HE9 WP
DESCRIPTION	VENETIAN BLIND SECTION