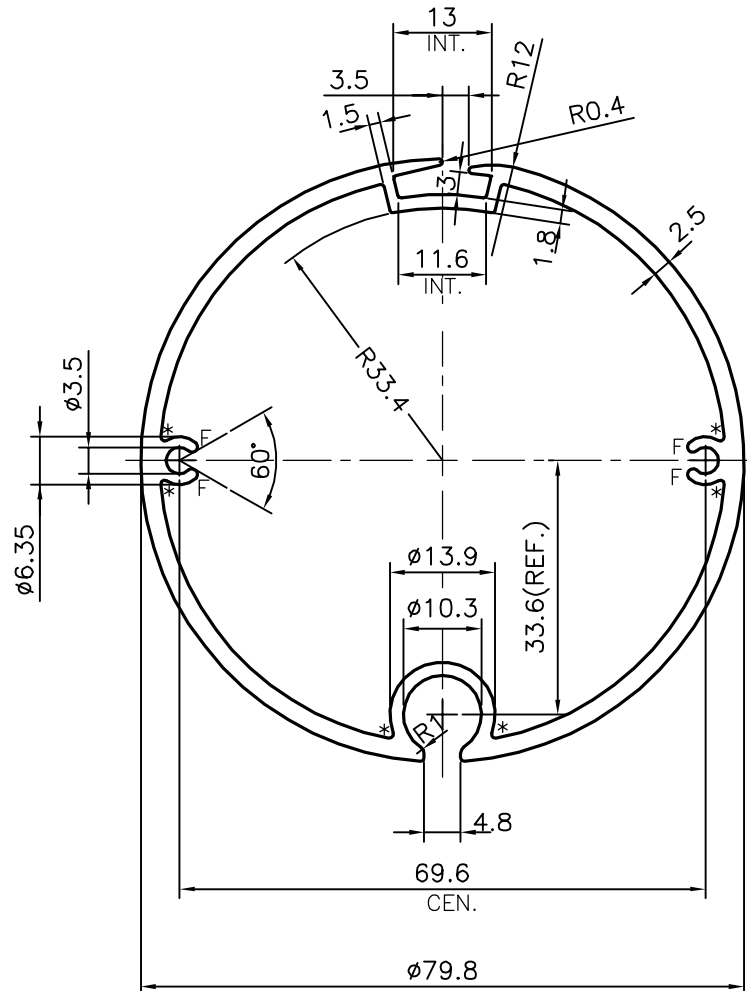


P-13701-1

S4165

34070



F = FULL RADIUS (4 PLACES)
 * = 0.5 RADIUS (6 PLACES)



SYMBOL OF QUALITY
 AN ISO 9001 COMPANY

JINDAL ALUMINIUM LTD.
 BANGALORE-560073 (INDIA)

	NAME	DATE
DRAWN	J.P.KAUSHIK	08-07-2014
CHECKED		
APPROVED	S.S.GARG	11-07-2014
SCALE		1:1
AREA mm ²		687.128
PERIMETER mm.		299.944
WEIGHT kg/m		1.855
DRAWING No.	SECTION No.	
P-13701-1	-	
S4165	S4165	
34070	34070	

1. ALL DIMENSIONS ARE IN mm.
2. ROUND OFF ALL SHARP CORNERS WITH 0.40 mm.
3. TOLERANCES WILL BE AS PER IS:6477-1983, UNLESS OTHERWISE SPECIFIED

PARTY'S NAME	MAC LIFESTYLE PRODUCTS PVT. LTD., NEW DELHI
PARTY'S DRAWING No.	AS PER SAMPLES & REQUIREMENT
ALLOY & TEMPER	HE9 WP
DESCRIPTION	VENETIAN BLIND SECTION