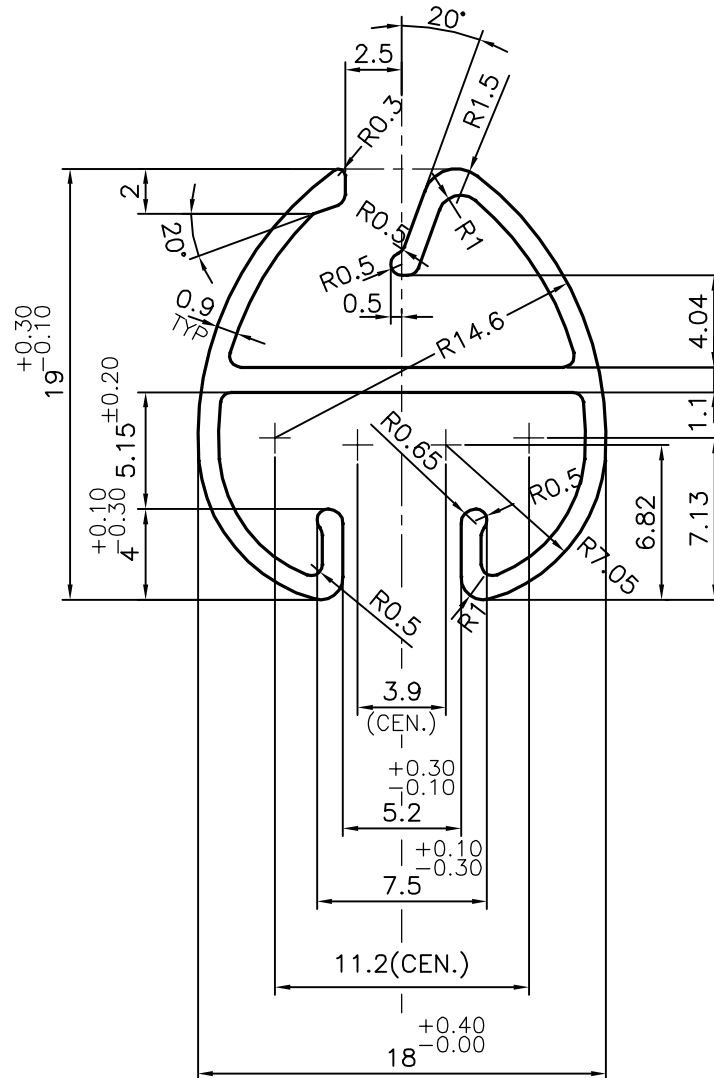
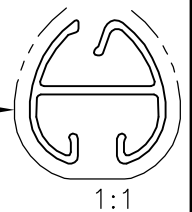


P-13697

S4180

34071

EXPOSED SURFACE



SYMBOL OF QUALITY
AN ISO 9001 COMPANY

JINDAL ALUMINIUM LTD.
BANGALORE-560073 (INDIA)

	NAME	DATE
DRAWN	J.P.KAUSHIK	01-07-2014
CHECKED		
APPROVED	S.S.GARG	25-07-2014
SCALE		3:1
AREA mm ²		71.023
PERIMETER mm.		146.311
WEIGHT kg/m		0.192
DRAWING No.	SECTION No.	

1. ALL DIMENSIONS ARE IN mm.
2. ROUND OFF ALL SHARP CORNERS WITH 0.50 mm.
3. TOLERANCES WILL BE AS PER IS:3965-1981, UNLESS OTHERWISE SPECIFIED

PARTY'S NAME	NBT EXPORTS PVT. LTD., MUMBAI		
PARTY'S DRAWING No.	A3H	P-13697	-
ALLOY & TEMPER	HE9 WP	S4180	S4180
		34071	34071
DESCRIPTION	MISC. SECTION		