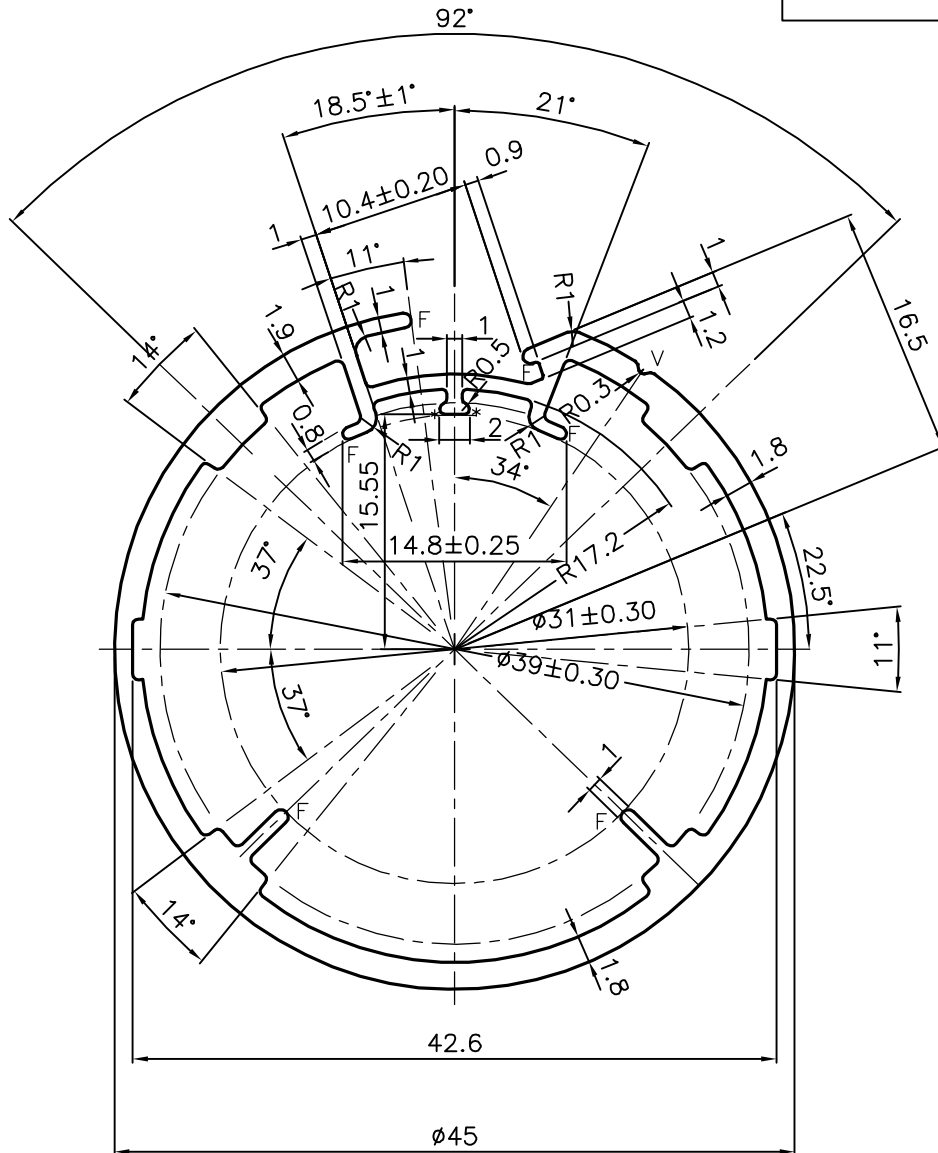
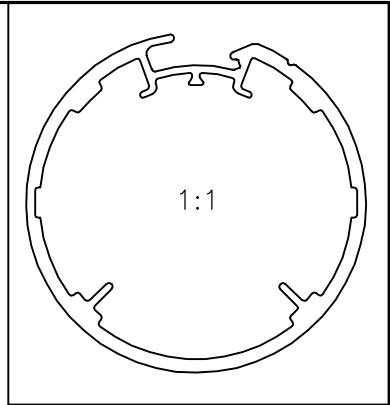


P-13698

S4181

34072



* = RADIUS 0.3 (2 PLACES)
 F = FULL RADIUS(6 PLACES)
 V = V GROOVE 0.5x90°



SYMBOL OF QUALITY
 AN ISO 9001 COMPANY

JINDAL ALUMINIUM LTD.
 BANGALORE-560073 (INDIA)

	NAME	DATE
DRAWN	J.P.KAUSHIK	02-07-2014
CHECKED		
APPROVED	S.S.GARG	25-07-2014
SCALE		2:1
AREA mm ²		279.995
PERIMETER mm.		156.277
WEIGHT kg/m		0.756
DRAWING No.	SECTION No.	
P-13698	-	
S4181	S4181	
34072	34072	

1. ALL DIMENSIONS ARE IN mm.
2. ROUND OFF ALL SHARP CORNERS WITH 0.40 mm.
3. TOLERANCES WILL BE AS PER IS:6477-1983, UNLESS OTHERWISE SPECIFIED

PARTY'S NAME	NBT EXPORTS PVT. LTD., MUMBAI
PARTY'S DRAWING No.	MYTECO3 PIPE-G
ALLOY & TEMPER	HE9 WP
DESCRIPTION	MISC. SECTION