

P-13859

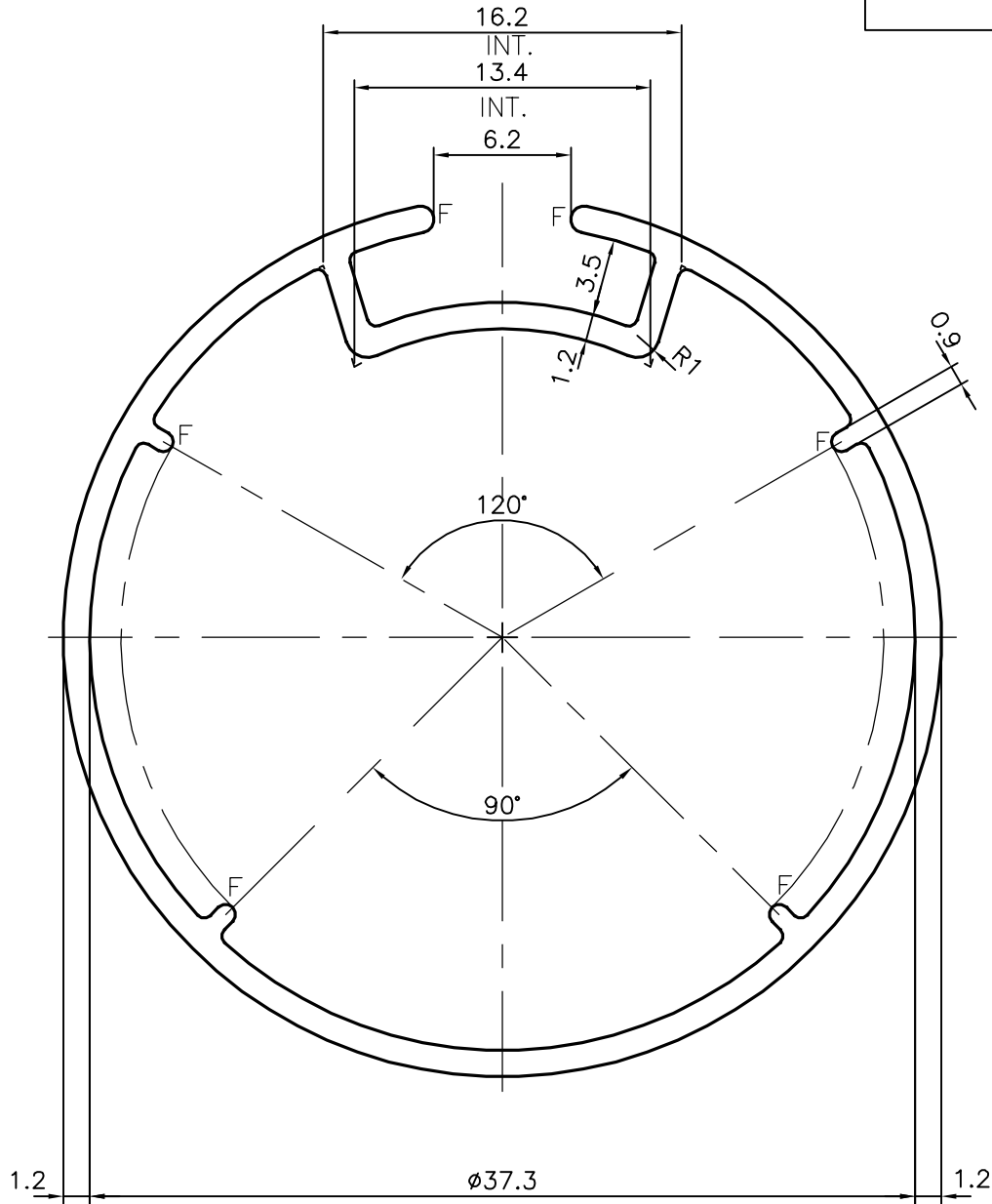
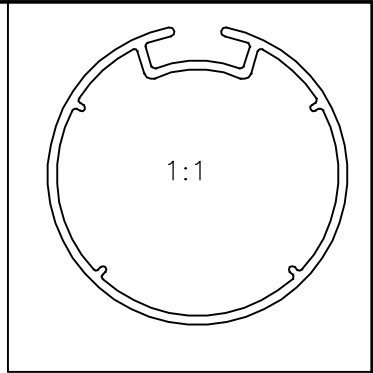
S4220

34074

ISSUE-2

DIMENSION ADDED OUTER TO OUTER 16.2, & 13.4
 DIMENSION REMOVED INNER TO INNER 14.6, & 12.5

WEIGHT ALSO CHANGED FROM 0.456 Kg/M TO 0.453 Kg/M



F = FULL RADIUS(2 PLACES)



SYMBOL OF QUALITY
 AN ISO 9001 COMPANY

JINDAL ALUMINIUM LTD.
 BANGALORE-560073 (INDIA)

	NAME	DATE
DRAWN	J.P.KAUSHIK	27-10-2014
CHECKED		
APPROVED	S.S.GARG	24-11-2014
SCALE		3:1
AREA mm ²		167.638
PERIMETER mm.		146.519
WEIGHT kg/m		0.453
DRAWING No.	SECTION No.	
P-13859	-	
S4220	S4220(ISSUE-2)	
34074	34074	

1. ALL DIMENSIONS ARE IN mm.
2. ROUND OFF ALL SHARP CORNERS WITH 0.40 mm.
3. TOLERANCES WILL BE AS PER,IS:6477-1983 UNLESS OTHERWISE SPECIFIED

PARTY'S NAME	SARDA WINDOW COVERING SOLUTIONS, BANGALORE
PARTY'S DRAWING No.	AS PER SAMPLE & REQUIREMENT
ALLOY & TEMPER	HE9 WP
DESCRIPTION	VENETIAN BLIND SECTION