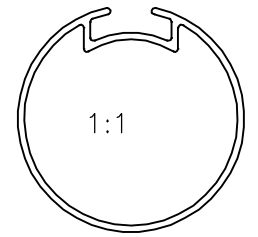


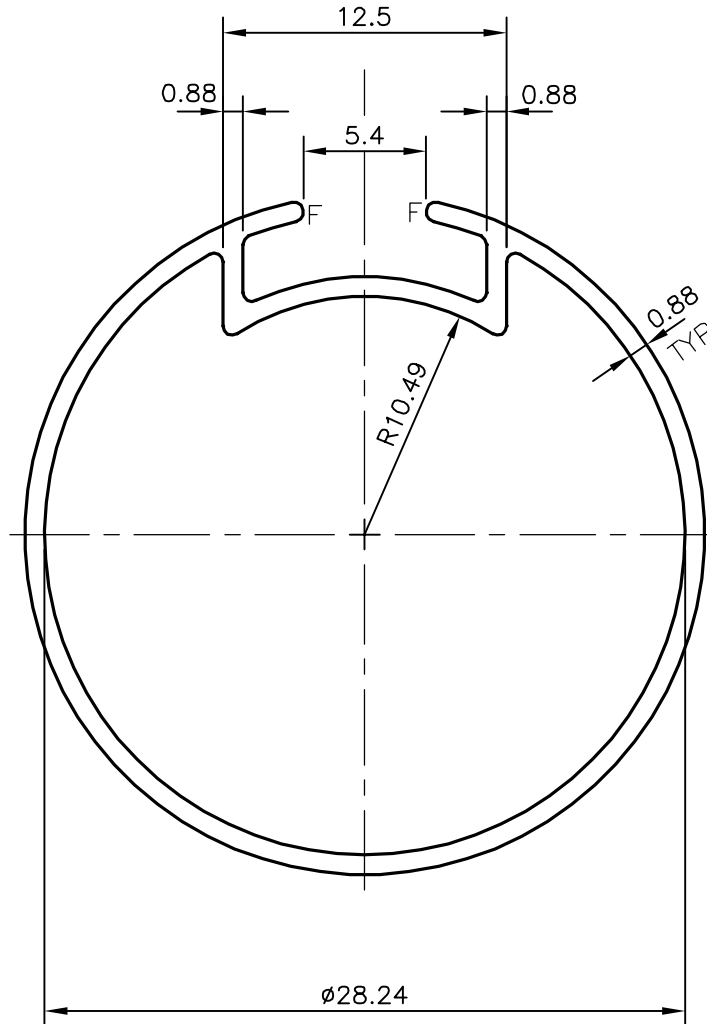
P-14595

S4450

34080



MATCH WITH MATCHING COMPONENT



SYMBOL OF QUALITY
AN ISO 9001 COMPANY

JINDAL ALUMINIUM LTD.
BANGALORE-560073 (INDIA)

	NAME	DATE
DRAWN	J.P.KAUSHIK	30-04-2015
CHECKED		
APPROVED	S.S.GARG	05-05-2015
SCALE		3:1
AREA mm ²		92.871
PERIMETER mm.		111.537
WEIGHT kg/m		0.251
DRAWING No.	SECTION No.	
P-14595	-	
S4450	S4450	
34080	34080	

1. ALL DIMENSIONS ARE IN mm.
2. ROUND OFF ALL SHARP CORNERS WITH 0.40 mm.
3. TOLERANCES WILL BE AS PER IS:6477-1983 UNLESS OTHERWISE SPECIFIED

PARTY'S NAME	AERO DESIGN ENTERPRISES, BANGALORE
PARTY'S DRAWING No.	AS PER SAMPLE
ALLOY & TEMPER	6063 T6
DESCRIPTION	VENETIAN BLIND SECTION