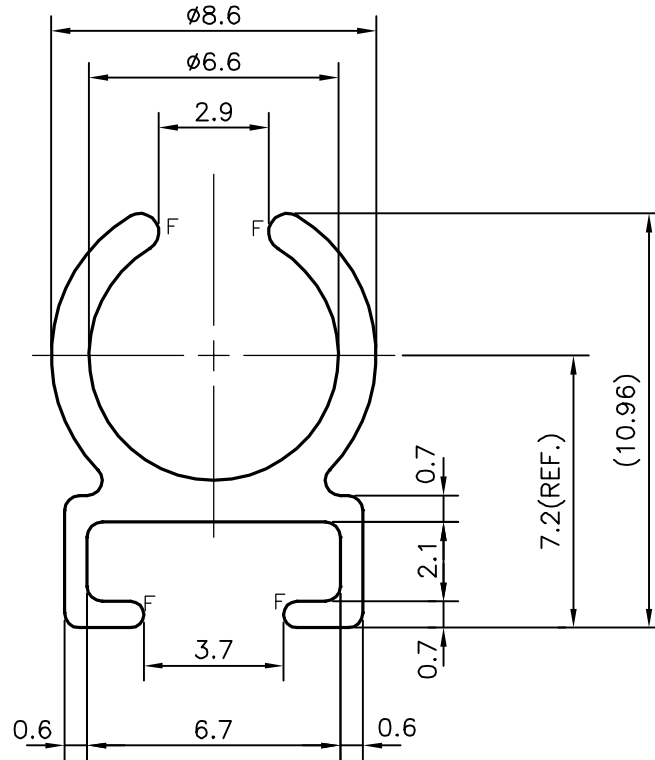


P-14736-1

S5190

34083



F = FULL RADIUS (4 PLACES)



SYMBOL OF QUALITY
AN ISO 9001 COMPANY

JINDAL ALUMINIUM LTD.
BANGALORE-560073 (INDIA)

	NAME	DATE
DRAWN	J.P.KAUSHIK	19-06-2015
CHECKED		
APPROVED	B.NATARAJ	26-11-2016
SCALE		5:1
AREA mm ²		30.145
PERIMETER mm.		63.5
WEIGHT kg/m		0.081
DRAWING No.	SECTION No.	
P-14736-1		
S5190	S5190	
34083	34083	

1. ALL DIMENSIONS ARE IN mm.
2. ROUND OFF ALL SHARP CORNERS WITH 0.40 mm.
3. TOLERANCES WILL BE AS PER IS:3965-1981 UNLESS OTHERWISE SPECIFIED

PARTY'S NAME ACCUMAX INTERIOR PRODUCTS PVT. LTD.,
JAMNAGAR

PARTY'S DRAWING No. AS PER SAMPLE

ALLOY & TEMPER HE9 WP

DESCRIPTION VENETIAN BLIND SECTION