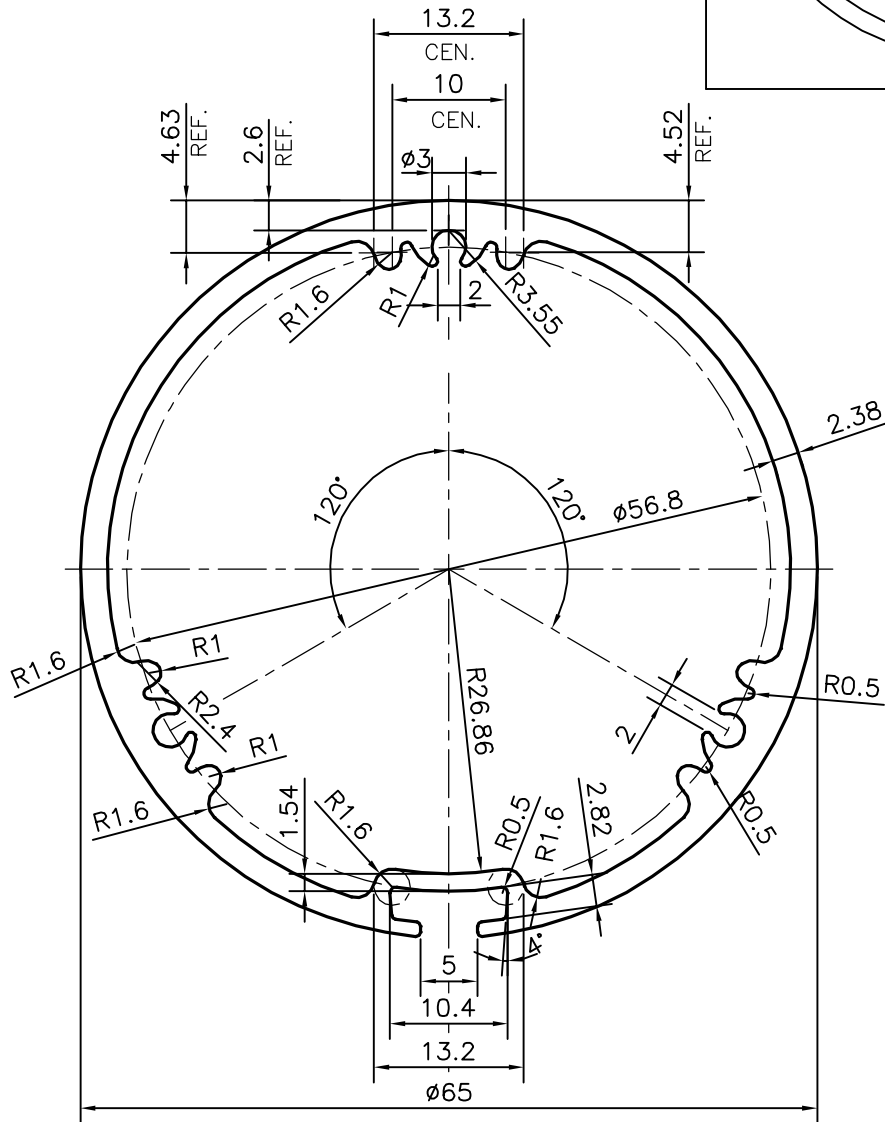
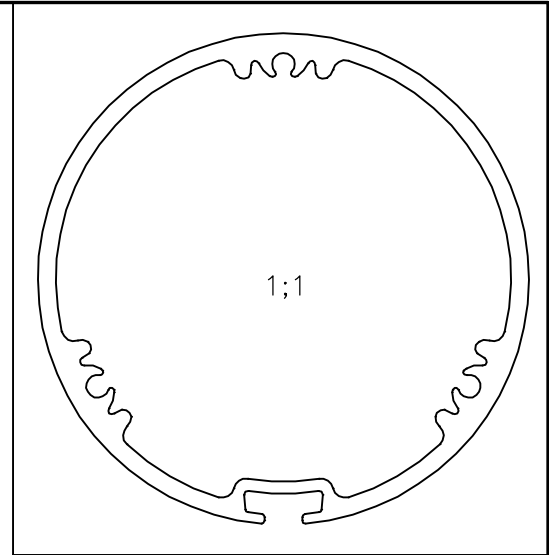


P-15586-1

X1974

34092



SYMBOL OF QUALITY
AN ISO 9001 COMPANY

JINDAL ALUMINIUM LTD.
BANGALORE-560073 (INDIA)

	NAME	DATE
DRAWN	J.P.KAUSHIK	08-02-2016
CHECKED		
APPROVED	S.S.GARG	22-03-2016
SCALE		1.5:1
AREA mm ²		564.431
PERIMETER mm.		221.587
WEIGHT kg/m		1.524
DRAWING No.	SECTION No.	
P-15586-1	-	
X1974	X1974	
34092	34092	

1. ALL DIMENSIONS ARE IN mm.
2. ROUND OFF ALL SHARP CORNERS WITH 0.40 mm.
3. TOLERANCES WILL BE AS PER, IS:6477-1983 UNLESS OTHERWISE SPECIFIED

PARTY'S NAME	LOUVERLINE BLINDS, BANGALORE
PARTY'S DRAWING No.	AS PER AutoCAD DRAWING
ALLOY & TEMPER	HE9 WP
DESCRIPTION	VENETIAN BLIND SECTION