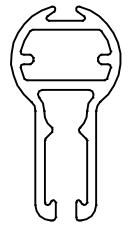


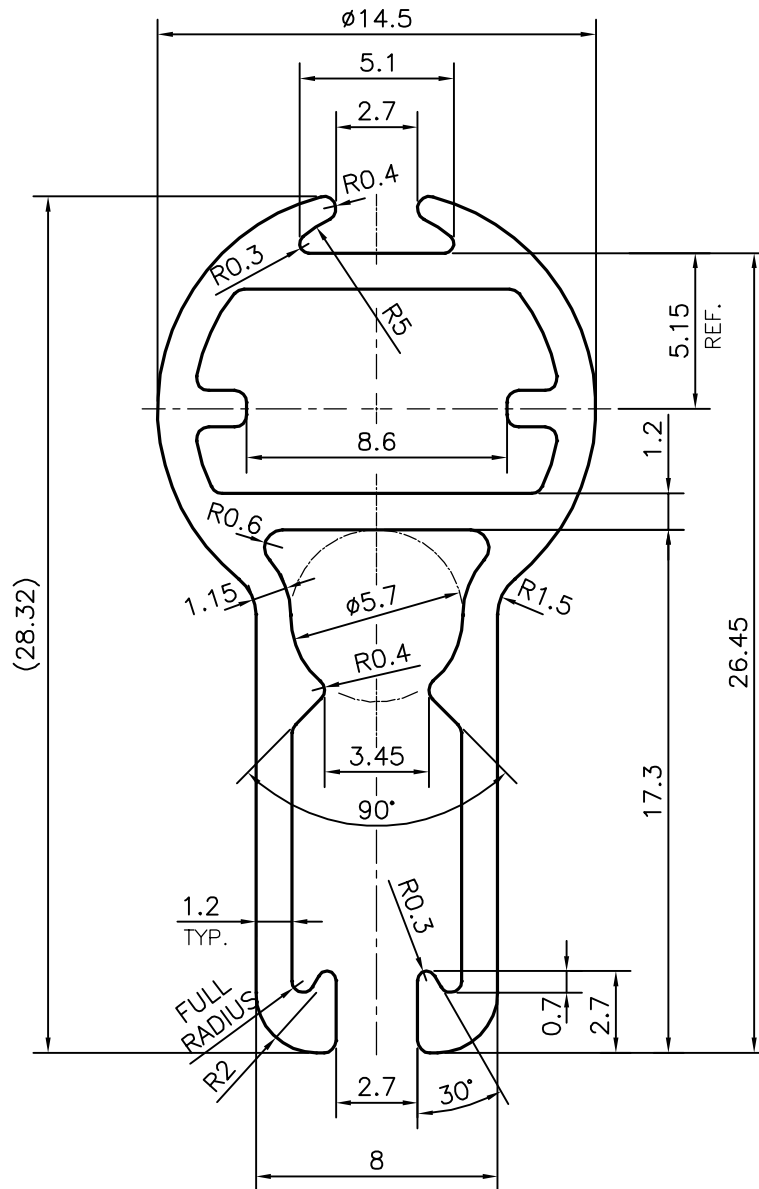
P-15771

S4913

34096



SCALE: - 1:1



SYMBOL OF QUALITY
AN ISO 9001 COMPANY

JINDAL ALUMINIUM LTD.
BANGALORE-560073 (INDIA)

	NAME	DATE
DRAWN	PARVESH	13-04-2016
CHECKED		
APPROVED	S.S. GARG	18-04-2016
SCALE		4:1
AREA	mm ²	109.242
PERIMETER	mm.	125.098
WEIGHT	kg/m	0.295
DRAWING No.	SECTION No.	
P-15771	-	
S4913	S4913	
34096	34096	

1. ALL DIMENSIONS ARE IN mm.
2. ROUND OFF ALL SHARP CORNERS WITH 0.40 mm.
3. TOLERANCES WILL BE AS PER IS:6477-1983 , UNLESS OTHERWISE SPECIFIED

PARTY'S NAME	MAC LIFESTYLE PRODUCT PVT. LTD., DELHI
PARTY'S DRAWING No.	AS PER PROPOSAL DRAWING & REQUIREMENT
ALLOY & TEMPER	6063 T6
DESCRIPTION	VENETION BLIND SECTION