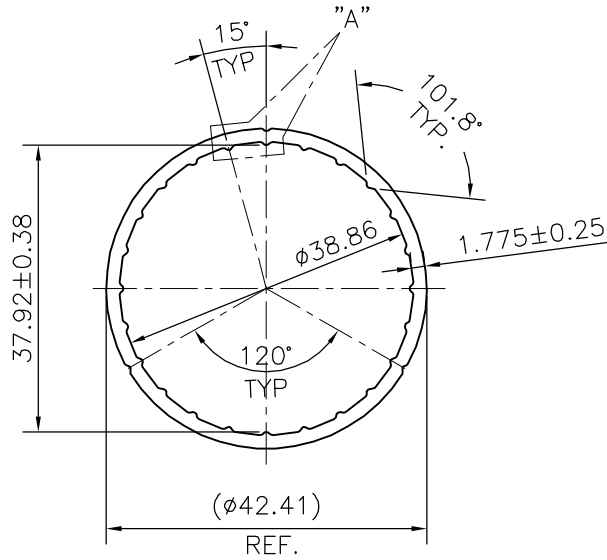
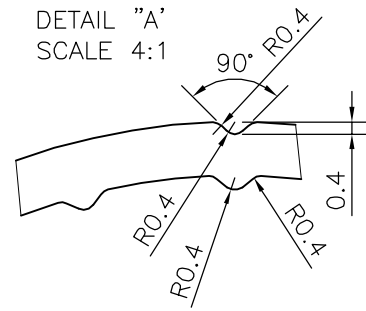


P-16122

X2029

34102

DETAIL "A"
SCALE 4:1



SYMBOL OF QUALITY
AN ISO 9001 COMPANY

JINDAL ALUMINIUM LTD.
BANGALORE-560073 (INDIA)

	NAME	DATE
DRAWN	Kiran	21-07-2016
CHECKED		
APPROVED	S.S. GARG	27-07-2016

1. ALL DIMENSIONS ARE IN mm.
2. ROUND OFF ALL SHARP CORNERS WITH 0.40 mm.
3. TOLERANCES WILL BE AS PER IS:6477-1983, UNLESS OTHERWISE SPECIFIED

SCALE	1:1
AREA mm ²	235.323
PERIMETER mm.	133.991
WEIGHT kg/m	0.635

PARTY'S NAME LOUVERLINE BLINDS BANGALORE

DRAWING No. SECTION No.

PARTY'S DRAWING No. AS PER DRAWING - 302100

P-16122 -

ALLOY & TEMPER 6063 T6

X2029 X2029

DESCRIPTION VENETIAN BLIND SECTION

34102 34102