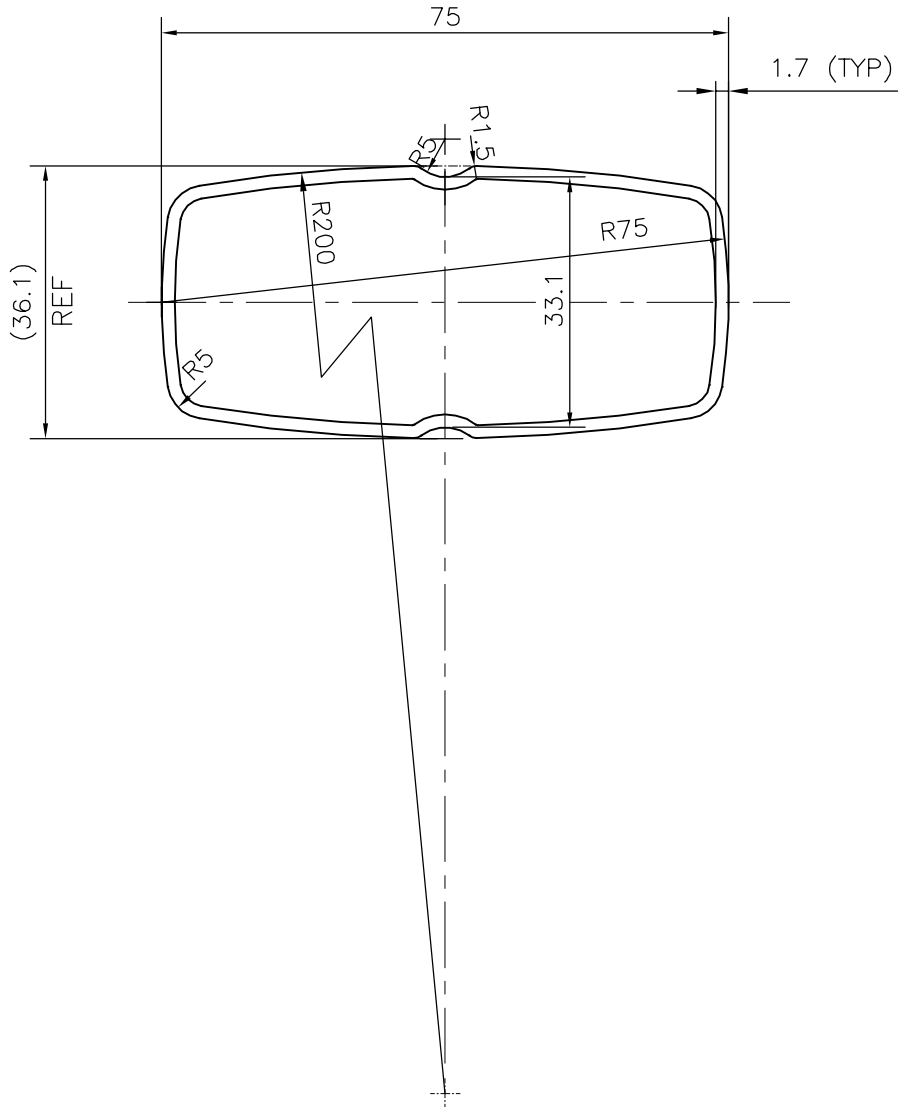


P-19209

34107



SYMBOL OF QUALITY
AN ISO 9001 COMPANY

JINDAL ALUMINIUM LTD.
BANGALORE-560073 (INDIA)

	NAME	DATE
DRAWN	J.P.KAUSHIK	23-02-2019
CHECKED		
APPROVED	B.NATARAJA	09-03-2019
SCALE		1:1
AREA mm ²		334.6
PERIMETER mm.		202.161
WEIGHT kg/m		0.903
DRAWING No.	SECTION No.	
P-19209	-	
34107	34107	

1. ALL DIMENSIONS ARE IN mm.
2. ROUND OFF ALL SHARP CORNERS WITH 0.40 mm.
3. TOLERANCES WILL BE AS PER IS:6477-1983 UNLESS OTHERWISE SPECIFIED

PARTY'S NAME	GENERAL CATEGORY, DELHI MARKET
PARTY'S DRAWING No.	AS PER SKETCH
ALLOY & TEMPER	HE9 WP
DESCRIPTION	VENETIAN BLIND SECTION