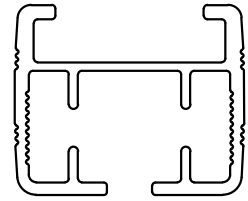
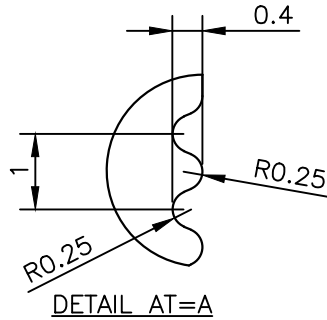
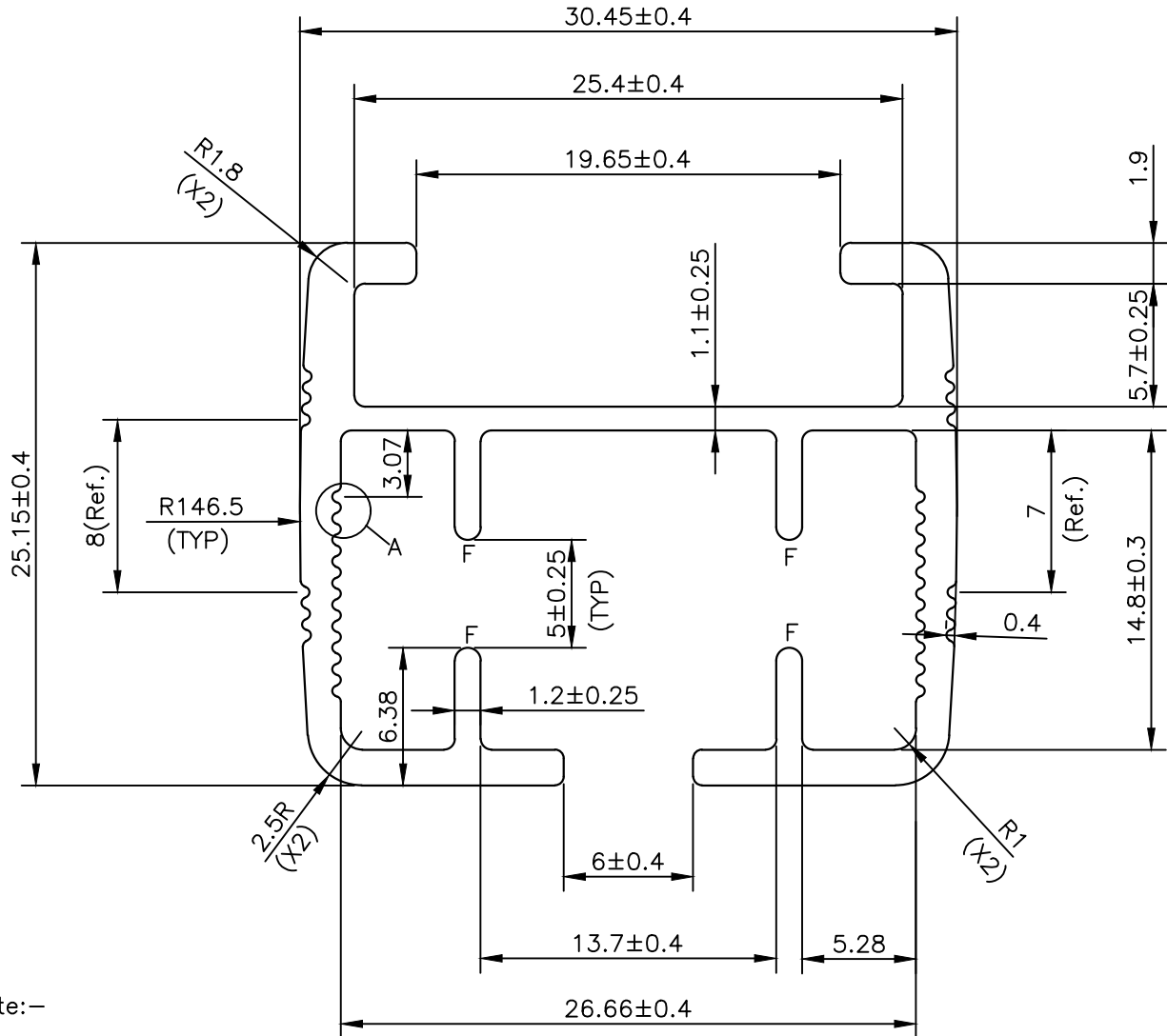


IAL-D-6786

34135



SCALE: 1:1



Note:-

F = FULL RADIUS

UNSPECIFIED RADIUS IS 0.5R



SYMBOL OF QUALITY
AN ISO 9001 COMPANY

JINDAL ALUMINIUM LTD.
BANGALORE-560073 (INDIA)

	NAME	DATE
DRAWN	S.K.SHARMA	10-122021
CHECKED		
APPROVED		

1. ALL DIMENSIONS ARE IN mm.
2. ROUND OFF ALL SHARP CORNERS WITH 0.40 mm.
3. TOLERANCES WILL BE AS PER BS:EN-755-9 , UNLESS OTHERWISE SPECIFIED

SCALE	1:1&3:1
AREA mm ²	184.1
PERIMETER mm.	250.73
WEIGHT kg/m	0.497

PARTY'S NAME	M/S. TEC ONE ENGINEERING
--------------	--------------------------

DRAWING No.	SECTION No.
-------------	-------------

PARTY'S DRAWING No.	AS PER DRAWING
---------------------	----------------

IAL-D-6786	-
34135	34135

ALLOY & TEMPER	6063-T6
----------------	---------

DESCRIPTION	VENETIAN BLINDS SECTIONCP
-------------	---------------------------