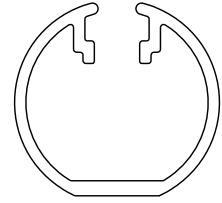
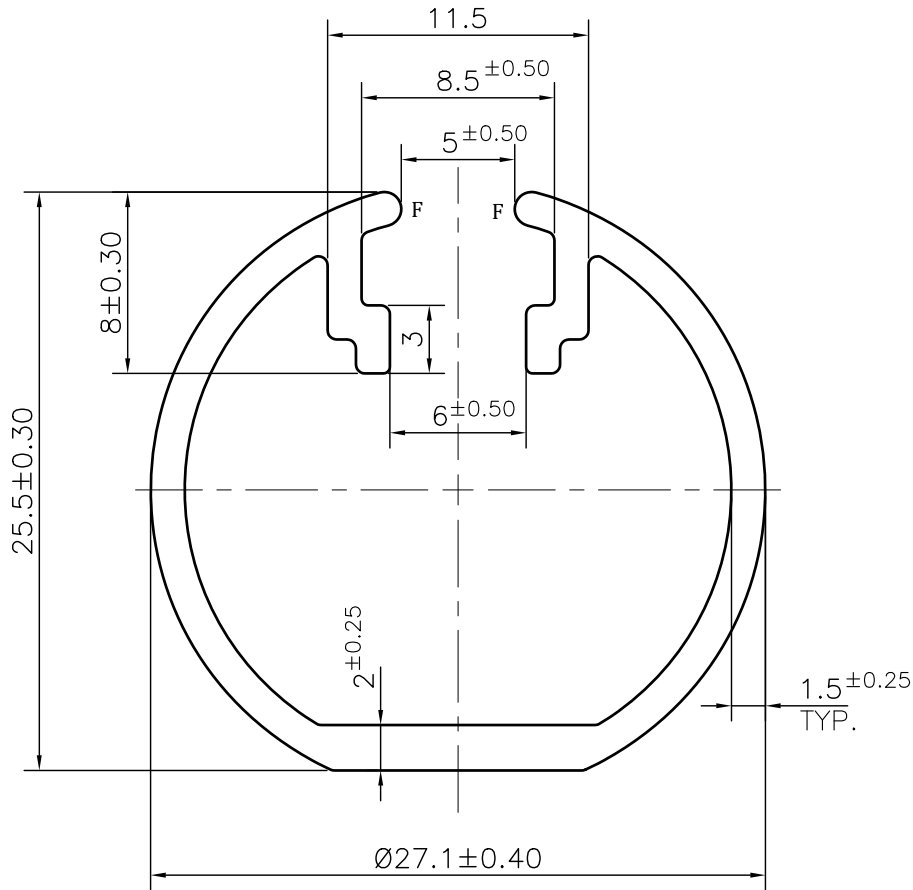


IAL-D-5847

34136



SCALE 1:1

**NOTE:-****F= FULL RADIUS (2 PLACES)**

SYMBOL OF QUALITY
AN ISO 9001 COMPANY

JINDAL ALUMINIUM LTD.
BHIWADI-301019 (INDIA)

	NAME	DATE
DRAWN	ASHUTOSH	03-02-2024
CHECKED		
APPROVED		
SCALE		3:1
AREA mm ²		139.055
PERIMETER mm.		176.24
WEIGHT kg/m		0.375
DRAWING No.	SECTION No.	
IAL-D-5847	-	
34136	34136	

1. ALL DIMENSIONS ARE IN mm.
2. ROUND OFF ALL SHARP CORNERS WITH 0.40 mm.
3. TOLERANCES WILL BE AS PER IS: 3965-1981 , UNLESS OTHERWISE SPECIFIED

PARTY'S NAME	KOHLI ALUMINIUM	
PARTY'S DRAWING No.	AS PER DRAWING	
ALLOY & TEMPER	63400WP	PRODUCT CODE:-049 HSN CODE:- 76042990
DESCRIPTION	VENETIAN BLIND SECTION	