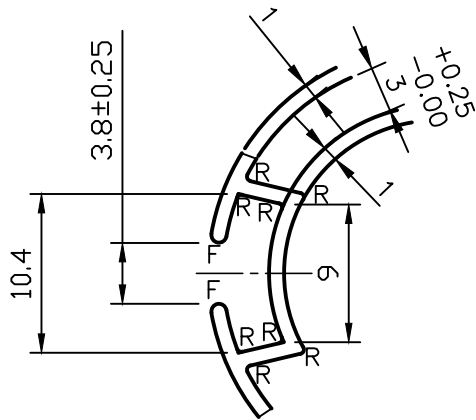
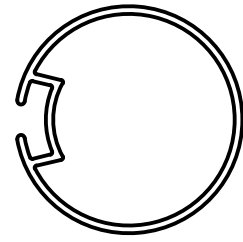


IAL-B-896

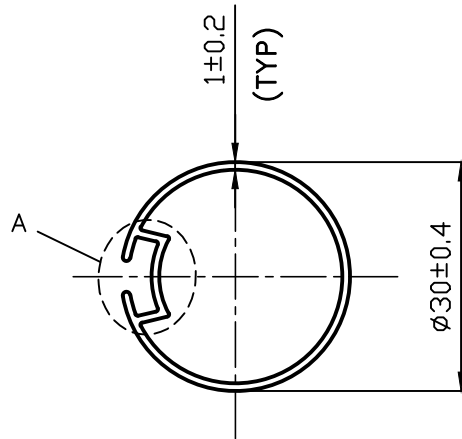
34138



DETAIL = A



SCALE: 1:1



NOTE:-

 $R = 0.3R$

F = FULL RADIUS



SYMBOL OF QUALITY
AN ISO 9001 COMPANY

JINDAL ALUMINIUM LTD.
BANGALORE-560073 (INDIA)

	NAME	DATE
DRAWN	S.K.SHARMA	22-02-2022
CHECKED		
APPROVED		

1. ALL DIMENSIONS ARE IN mm.
2. ROUND OFF ALL SHARP CORNERS WITH 0.40 mm.
3. TOLERANCES WILL BE AS PER BS:EN-755-9 , UNLESS OTHERWISE SPECIFIED

SCALE	1:1
AREA mm ²	104.4
PERIMETER mm.	113.19

PARTY'S NAME	M/S.JOHNSON	WEIGHT kg/m	0.282
PARTY'S DRAWING No.	AS PER DRAWING	DRAWING No.	SECTION No.
ALLOY & TEMPER	6063-T6	IAL-B-896	-
DESCRIPTION	VENETIAN BLIND SECTION	34138	34138