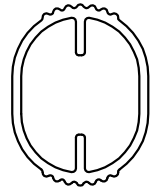


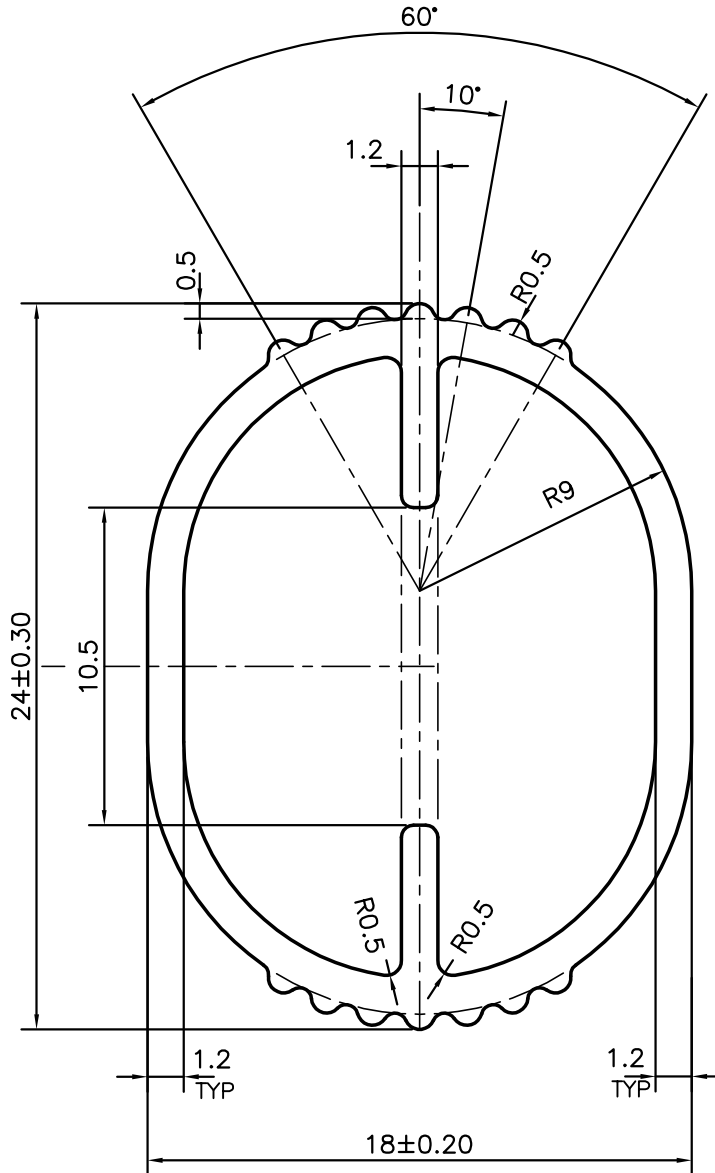
P-11099

S3023

34515



1:1



SYMBOL OF QUALITY
AN ISO 9001 COMPANY

JINDAL ALUMINIUM LTD.
BANGALORE-560073 (INDIA)

	NAME	DATE
DRAWN	J.P.KAUSHIK	18-07-2011
CHECKED		
APPROVED	S.S.GARG	06-08-2011
SCALE		4:1
AREA mm ²		93.514
PERIMETER mm.		72.587
WEIGHT kg/m		0.252

1. ALL DIMENSIONS ARE IN mm.
2. ROUND OFF ALL SHARP CORNERS WITH 0.40 mm.
3. TOLERANCES WILL BE AS PER, BS:EN-755-9 UNLESS OTHERWISE SPECIFIED

PARTY'S NAME	INDIAN FURNITURE PRODUCTS LTD., THIRUVALLUR
PARTY'S DRAWING No.	AS PER SAMPLE
ALLOY & TEMPER	6063 T6
DESCRIPTION	FURNITURE SECTION

DRAWING No.	SECTION No.
P-11099	-
S3023	S3023
34515	34515