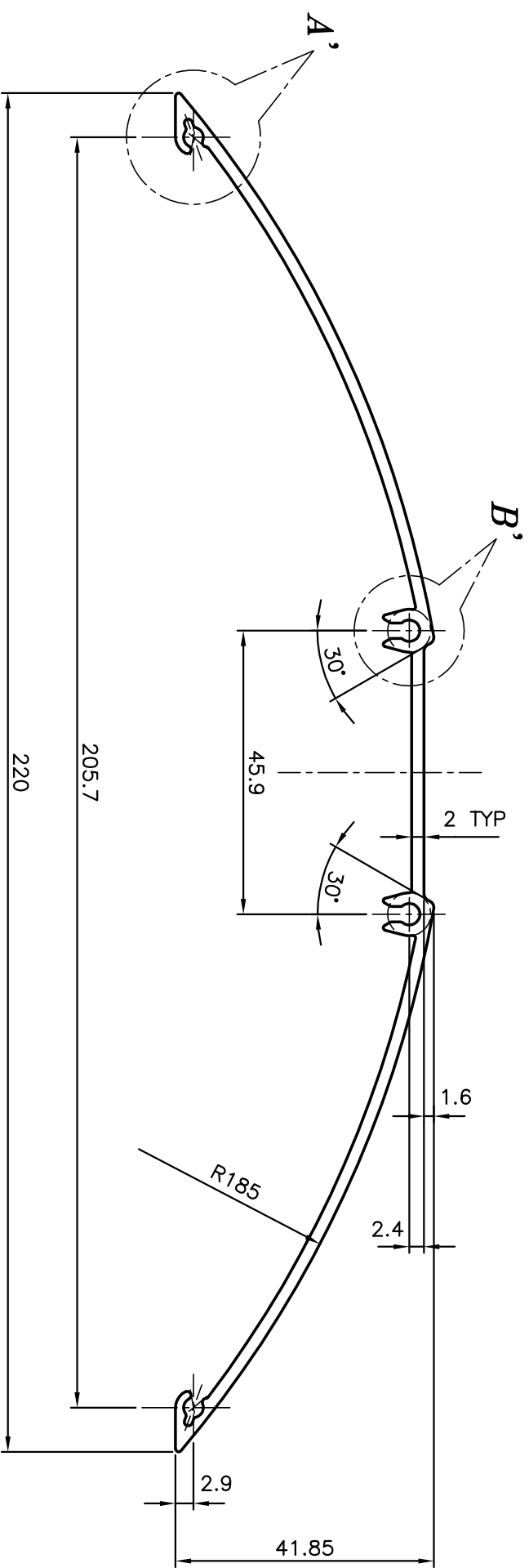


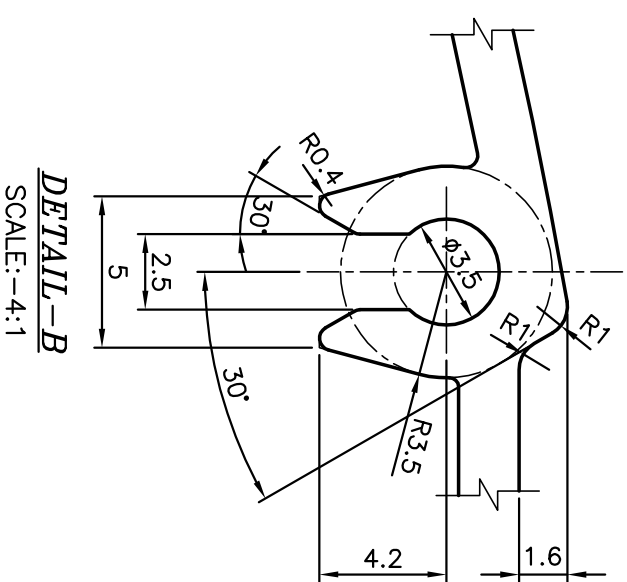
P-6169

X519

34523




GENERAL WALL THICKNESS = 2 mm
 F = FULL RADIUS (6 PLACES)



DETAIL-A
 SCALE:-4:1

DETAIL-B
 SCALE:-4:1

 JINDAL SYMBOL OF QUALITY AN ISO 9001 COMPANY		JINDAL ALUMINIUM LTD. BANGALORE-560073 (INDIA)	
1. ALL DIMENSIONS ARE IN mm. 2. ROUND OFF ALL SHARP CORNERS WITH 0.40 mm. 3. TOLERANCES WILL BE AS PER IS:3965-1981 UNLESS OTHERWISE SPECIFIED			
PARTY'S NAME	WIPRO CONSUMER CARE & LIGHTING, BANGALORE		
PARTY'S DRAWING No.	VF82M01C		
ALLOY & TEMPER	HE9 WP		
DESCRIPTION	HOUSING		
DRAWN	MALINGAPPA	NAME	DATE
CHECKED			01-02-2006
APPROVED			
SCALE	1:1		
AREA	mm ²		530.353
PERIMETER	mm.		545.59
WEIGHT	kg/m		1.432
DRAWING No.		SECTION No.	
	P-6169		-
	X519		X519
	34523		34523