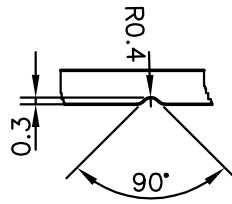


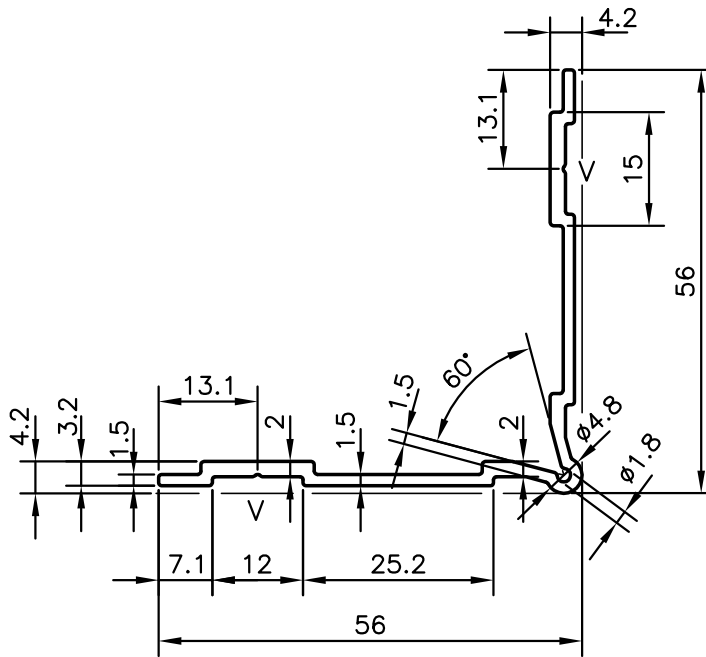
P-9567-1

X1222

34527



DETAIL OF V GROOVE



SYMBOL OF QUALITY  
AN ISO 9001 COMPANY

**JINDAL ALUMINIUM LTD.**  
BANGALORE-560073 (INDIA)

	NAME	DATE
DRAWN	J.P.KAUSHIK	26-10-2009
CHECKED		
APPROVED		

1. ALL DIMENSIONS ARE IN mm.
2. ROUND OFF ALL SHARP CORNERS WITH 0.40 mm.
3. TOLERANCES WILL BE AS PER IS:3965-1981 UNLESS OTHERWISE SPECIFIED

SCALE	1:1
AREA mm <sup>2</sup>	197.249
PERIMETER mm.	238.591
WEIGHT kg/m	0.533

PARTY'S NAME	TESCO TRADING & CONTRACTS, BANGALORE
PARTY'S DRAWING No.	TTC/ALU/CG55
ALLOY & TEMPER	HE9 WP
DESCRIPTION	CORNER GUARD SECTION

DRAWING No.	SECTION No.
P-9567-1	-
X1222	X1222
34527	34527