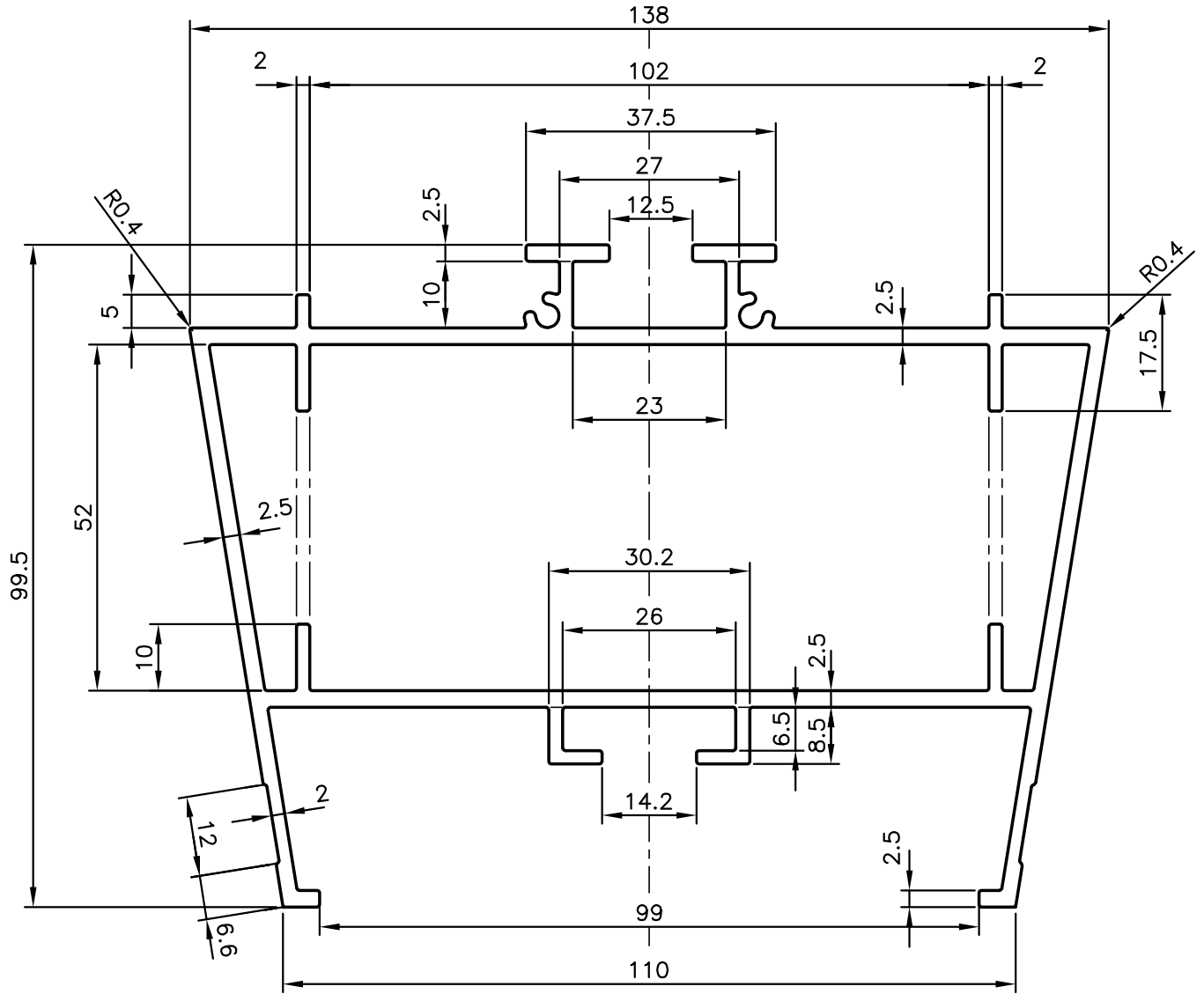
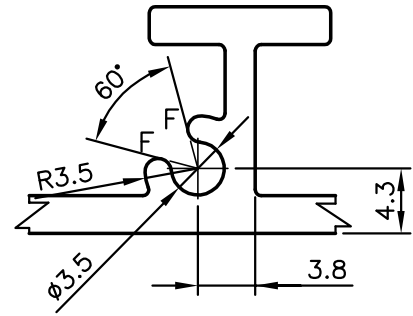


P-9833-1  
X1263  
34532



**JINDAL ALUMINIUM LTD.**  
BANGALORE-560073 (INDIA)

	NAME	DATE
DRAWN	J.P.KAUSHIK	25-02-2010
CHECKED		
APPROVED	S.S.GARG	27-02-2010

1. ALL DIMENSIONS ARE IN mm.
2. ROUND OFF ALL SHARP CORNERS WITH 0.40 mm.
3. TOLERANCES WILL BE AS PER IS:6477-1983 UNLESS OTHERWISE SPECIFIED

SCALE	1:1
AREA mm <sup>2</sup>	1345.398
PERIMETER mm.	682.278
WEIGHT kg/m	3.633

PARTY'S NAME	UNISIGN MODULAR SIGNAGE (P) LTD.,CHENNAI
PARTY'S DRAWING No.	AS PER DRAWING
ALLOY & TEMPER	HE9 WP
DESCRIPTION	FURNITURE SECTION

DRAWING No.	SECTION No.
P-9833-1	-
X1263	X1263
34532	34532