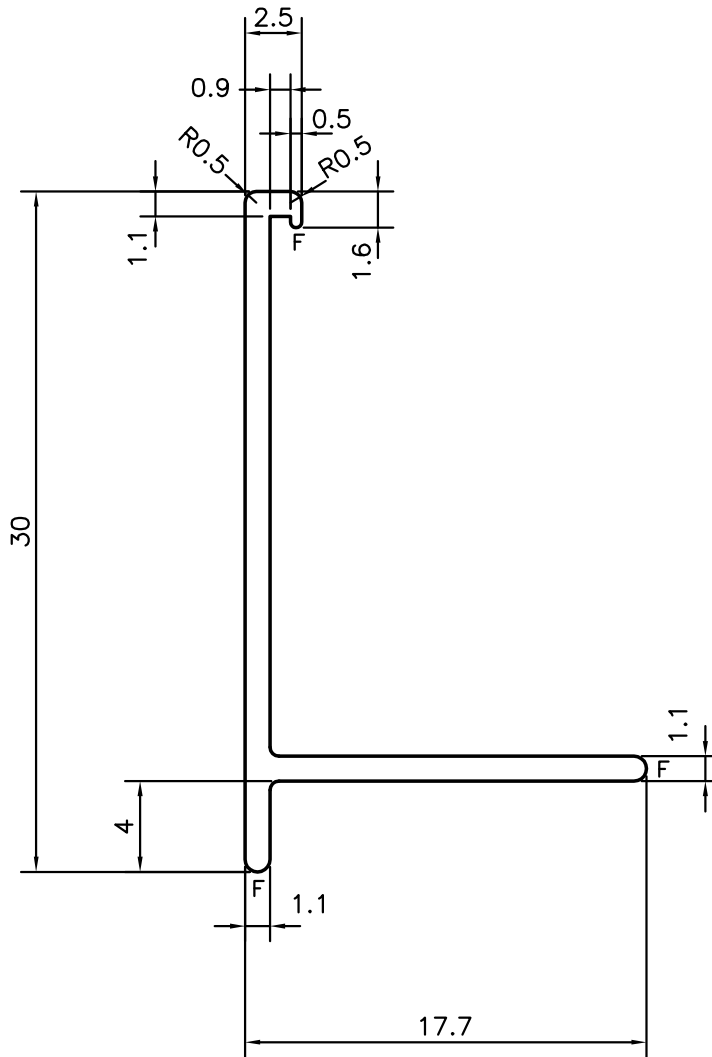
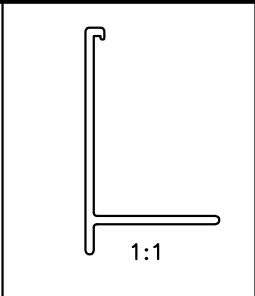



P-10599  
X1462  
34546



F = FULL RADIUS (3 PLACES)

TOLERANCES ON OVERALL WIDTHS & WIDTHS ACROSS FLATS OF BARS, & REGULAR SECTIONS

UPTO 6.40mm - ±0.20	UPTO 32.0mm - ±0.38	UPTO 120.0mm - ±0.85	UPTO 320.00mm - ±1.70
UPTO 10.0mm - ±0.23	UPTO 50.0mm - ±0.46	UPTO 160.0mm - ±1.02	
UPTO 12.0mm - ±0.25	UPTO 60.0mm - ±0.53	UPTO 200.0mm - ±1.14	
UPTO 16.0mm - ±0.28	UPTO 80.0mm - ±0.69	UPTO 250.0mm - ±1.40	
UPTO 25.0mm - ±0.30	UPTO 100.0mm - ±0.75	UPTO 300.0mm - ±1.65	

 SYMBOL OF QUALITY AN ISO 9001 COMPANY	<b>JINDAL ALUMINIUM LTD.</b> BANGALORE-560073 (INDIA)	DRAWN	J.P.KAUSHIK	DATE	30-11-2010
		CHECKED			
1. ALL DIMENSIONS ARE IN mm. 2. ROUND OFF ALL SHARP CORNERS WITH 0.40 mm. 3. TOLERANCES WILL BE AS PER,IS:3965-1981 UNLESS OTHERWISE SPECIFIED		APPROVED	S.S.GARG		07-01-2011
		SCALE			3:1
PARTY'S NAME MATTS CORNER INDIA PVT. LTD.,BANGALORE		AREA	mm <sup>2</sup>		52.725
		PERIMETER	mm.		97.269
PARTY'S DRAWING No. AS PER DRAWING		WEIGHT	kg/m		0.142
		DRAWING No.		SECTION No.	
ALLOY & TEMPER HE9 WP		P-10599			-
		X1462			X1462
DESCRIPTION MISC. SECTION		34546			34546