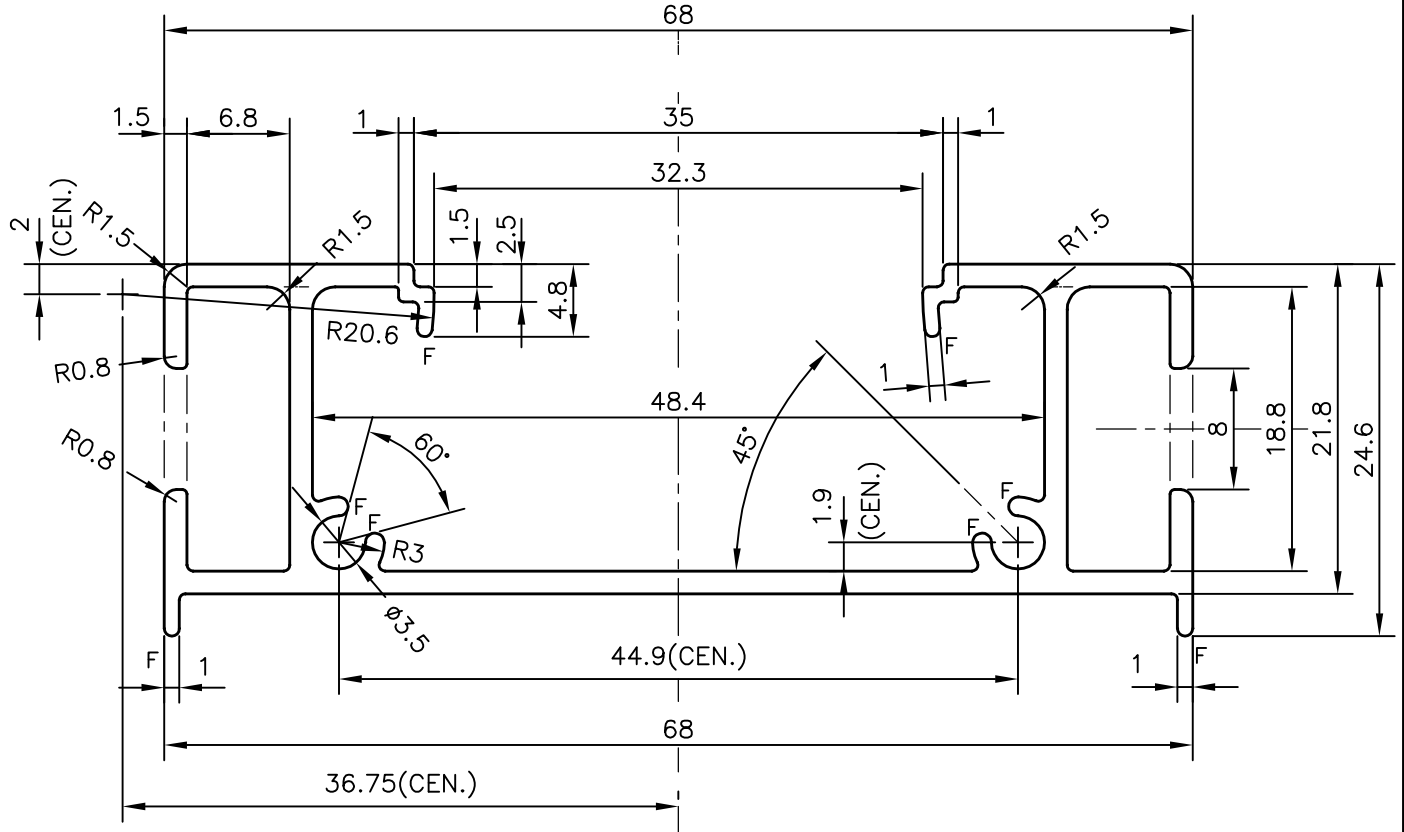
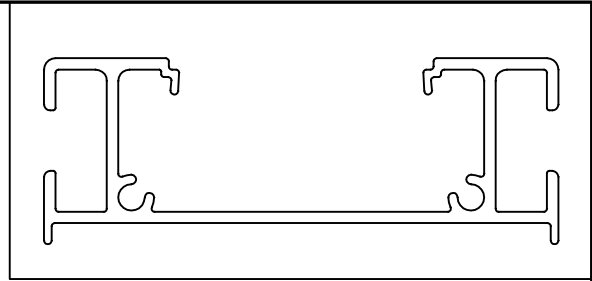
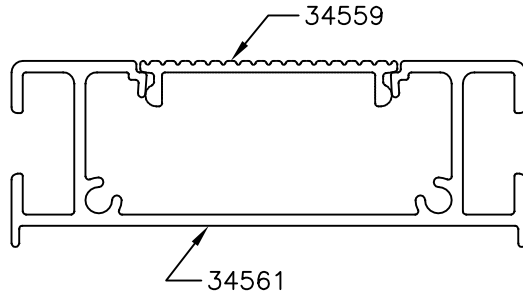



P-11079
S3050
34561



F = FULL RADIUS (8 PLACES)

 SYMBOL OF QUALITY AN ISO 9001 COMPANY	JINDAL ALUMINIUM LTD. BANGALORE-560073 (INDIA)	NAME		DATE	
		DRAWN	J.P.KAUSHIK	09-07-2011	
1. ALL DIMENSIONS ARE IN mm. 2. ROUND OFF ALL SHARP CORNERS WITH 0.40 mm. 3. TOLERANCES WILL BE AS PER, BS:EN-755-9 UNLESS OTHERWISE SPECIFIED		CHECKED			
		APPROVED	S.S.GARG	15-09-2011	
PARTY'S NAME		ZEN MODULAR SYSTEMS PVT. LTD.,COIMBATORE		SCALE	2:1
		PARTY'S DRAWING No.		AS PER DRAWING	AREA mm ²
ALLOY & TEMPER		6063 T6		PERIMETER mm.	355.445
		DESCRIPTION		MISC. SECTION (TOP/SIDE PROFILE)	WEIGHT kg/m
		DRAWING No.		SECTION No.	
		P-11079		-	
		S3050		S3050	
		34561		34561	