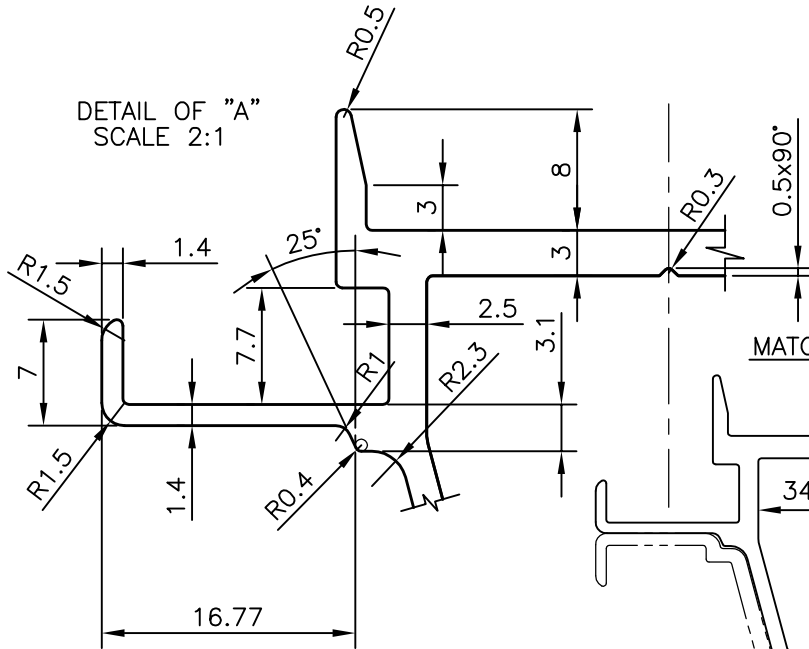


P-11278

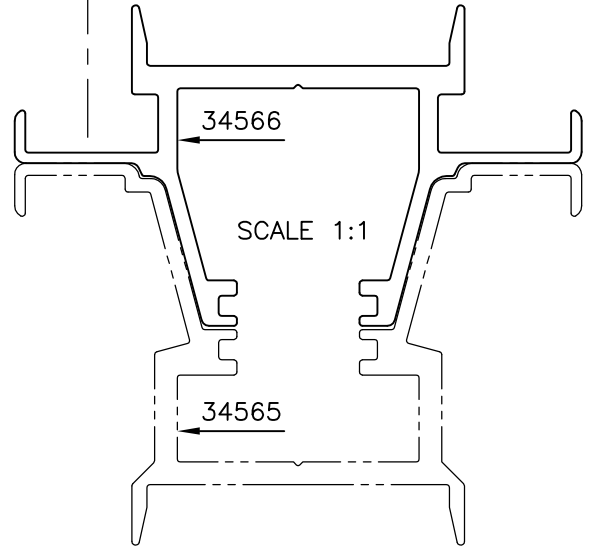
X1559

34565

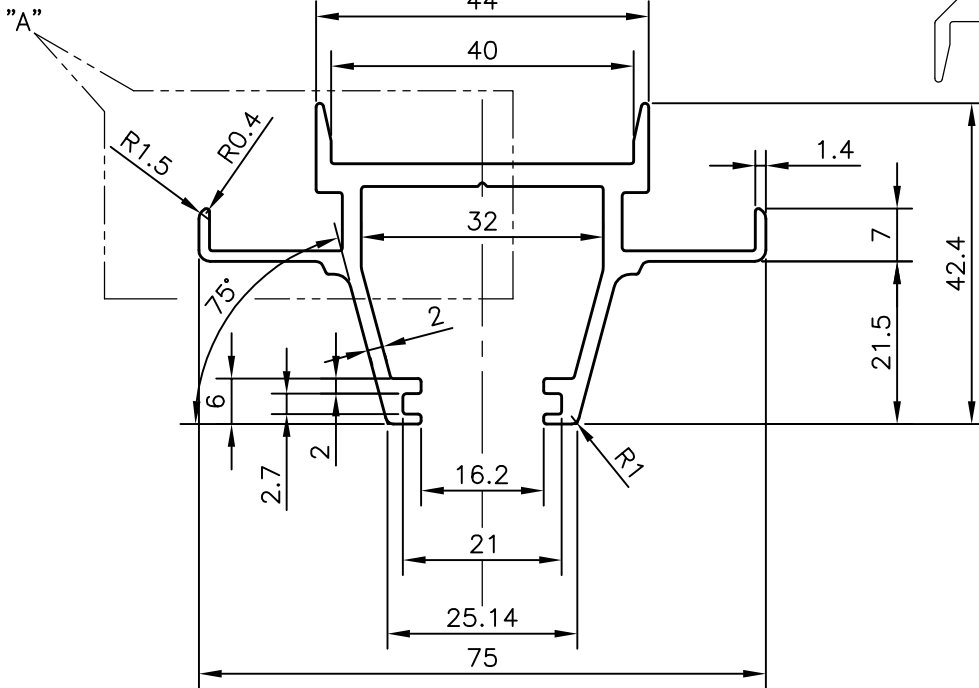
DETAIL OF "A"
SCALE 2:1



MATCHING SECTION



SCALE 1:1



SYMBOL OF QUALITY
AN ISO 9001 COMPANY

JINDAL ALUMINIUM LTD.
BANGALORE-560073 (INDIA)

	NAME	DATE
DRAWN	J.P.KAUSHIK	21-10-2011
CHECKED		
APPROVED	S.S.GARG	24-10-2011
SCALE		1:1
AREA mm ²		405.19
PERIMETER mm.		362.543
WEIGHT kg/m		1.095

1. ALL DIMENSIONS ARE IN mm.
2. ROUND OFF ALL SHARP CORNERS WITH 0.4 mm.
3. TOLERANCES WILL BE AS PER IS:3965-1981 UNLESS OTHERWISE SPECIFIED

PARTY'S NAME	MALROX
PARTY'S DRAWING No.	AS PER SECTION No:-22448
ALLOY & TEMPER	HE9 WP
DESCRIPTION	MALE ELEMENT-FURNITURE SECTION

DRAWING No.	SECTION No.
P-11278	-
X1559	X1559
34565	34565