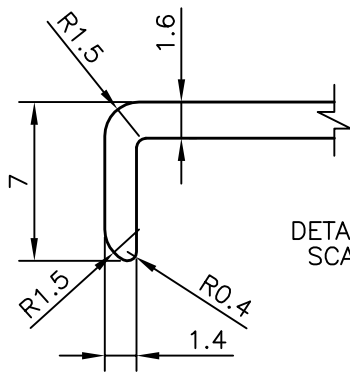
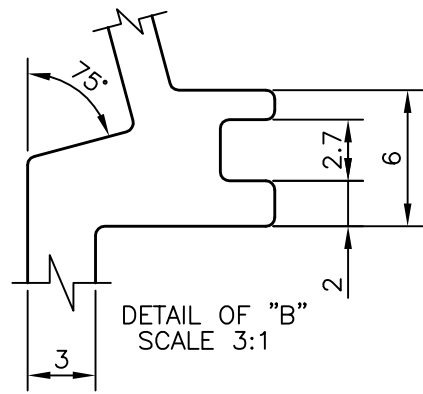


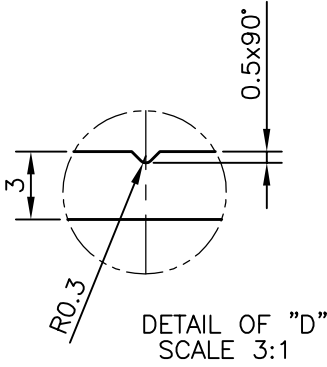
P-11279
X1560
34566



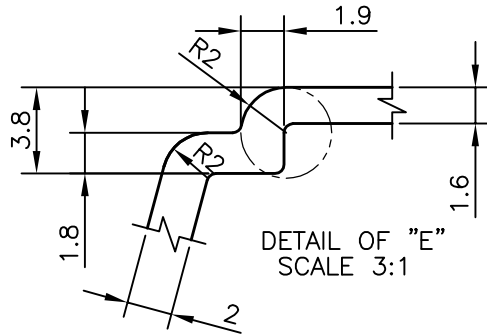
DETAIL OF "A"
SCALE 3:1



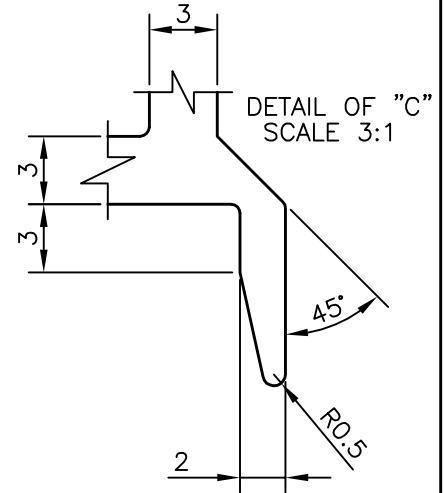
DETAIL OF "B"
SCALE 3:1



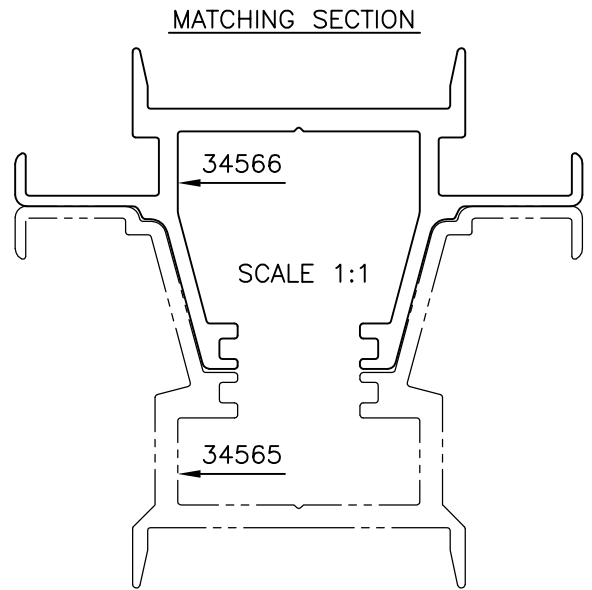
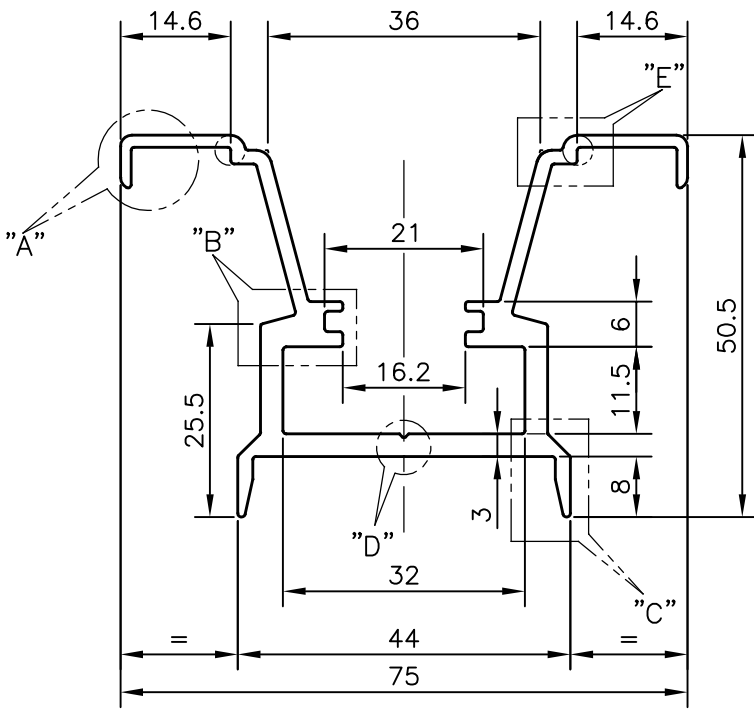
DETAIL OF "D"
SCALE 3:1



DETAIL OF "E"
SCALE 3:1



DETAIL OF "C"
SCALE 3:1



SYMBOL OF QUALITY
AN ISO 9001 COMPANY

JINDAL ALUMINIUM LTD.
BANGALORE-560073 (INDIA)

	NAME	DATE
DRAWN	J.P.KAUSHIK	21-10-2011
CHECKED		
APPROVED	S.S.GARG	24-10-2011
SCALE		1:1
AREA mm ²		473.402
PERIMETER mm.		402.574
WEIGHT kg/m		1.278

1. ALL DIMENSIONS ARE IN mm.
2. ROUND OFF ALL SHARP CORNERS WITH 0.4 mm.
3. TOLERANCES WILL BE AS PER IS:3965-1981 UNLESS OTHERWISE SPECIFIED

PARTY'S NAME	MALROX
PARTY'S DRAWING No.	AS PER SECTION No:- 22449
ALLOY & TEMPER	HE9 WP
DESCRIPTION	MALE ELEMENT-FURNITURE SECTION

DRAWING No.	SECTION No.
P-11279	-
X1560	X1560
34566	34566