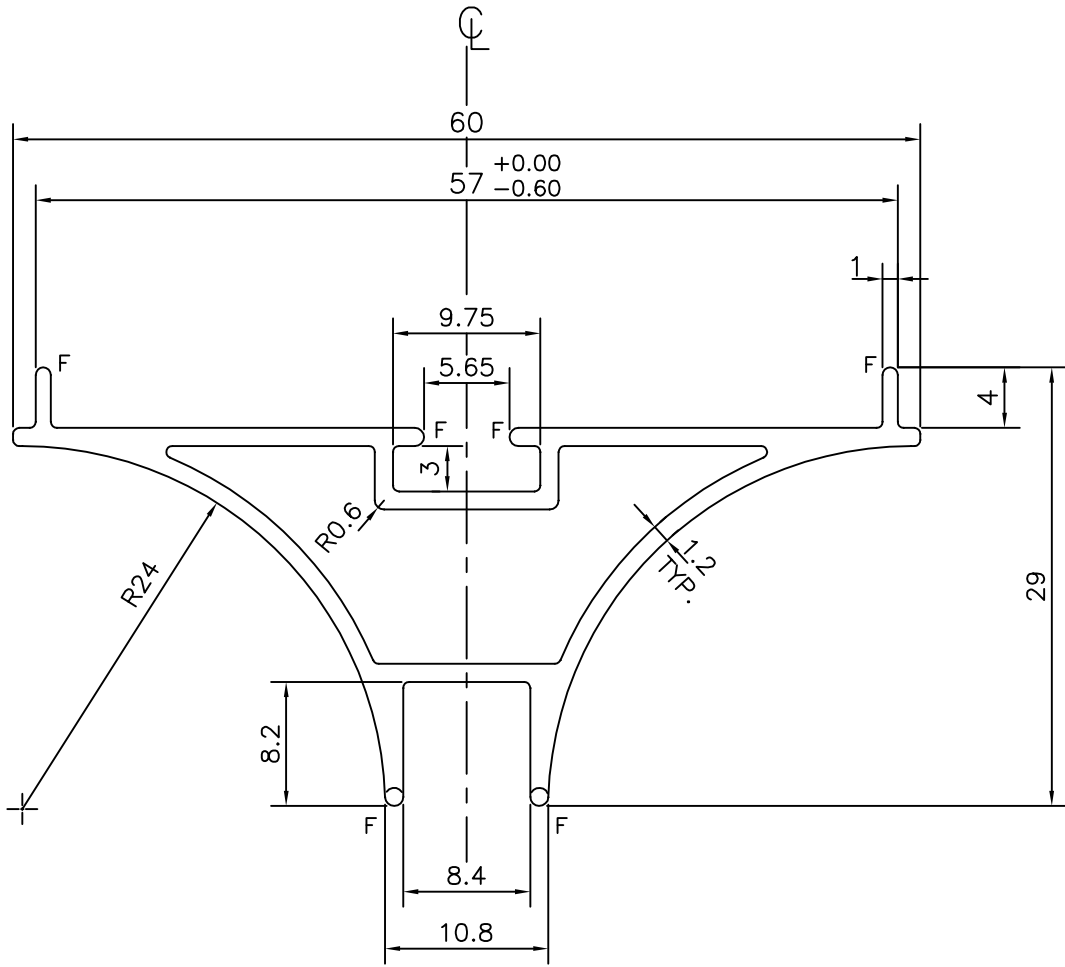
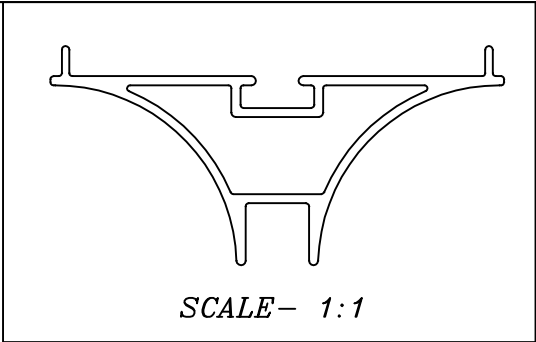



P-11331
S3104
34567



F = FULL RADIUS (6 PLACES)

 SYMBOL OF QUALITY AN ISO 9001 COMPANY	JINDAL ALUMINIUM LTD. BANGALORE-560073 (INDIA)	DRAWN	NAME	DATE
		CHECKED	PARVESH	19-11-2011
1. ALL DIMENSIONS ARE IN mm. 2. ROUND OFF ALL SHARP CORNERS WITH 0.40 mm. 3. TOLERANCES WILL BE AS PER, IS:6477-1983 UNLESS OTHERWISE SPECIFIED		APPROVED	S.S.GARG	23-11-2011
		SCALE		2:1
PARTY'S NAME ZEN INTERIOR, COIMBATORE		AREA	mm ²	197.304
		PERIMETER	mm.	193.102
PARTY'S DRAWING No. ZEN/GLASS 60/001		WEIGHT	kg/m	0.533
		DRAWING No.	SECTION No.	
ALLOY & TEMPER HE9 WP		P-11331	-	
		S3104	S3104	
DESCRIPTION FURNITURE SECTION		34567	34567	